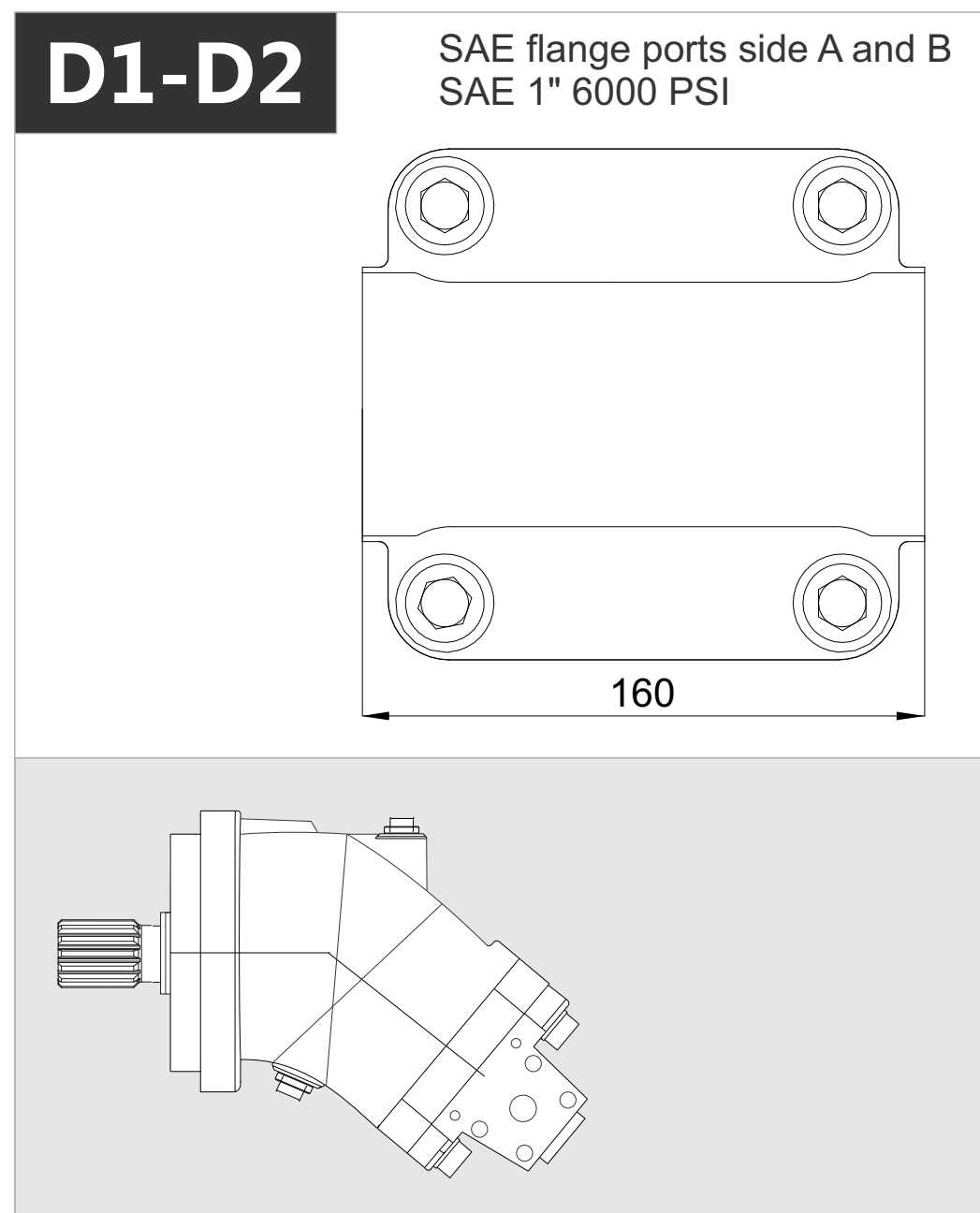
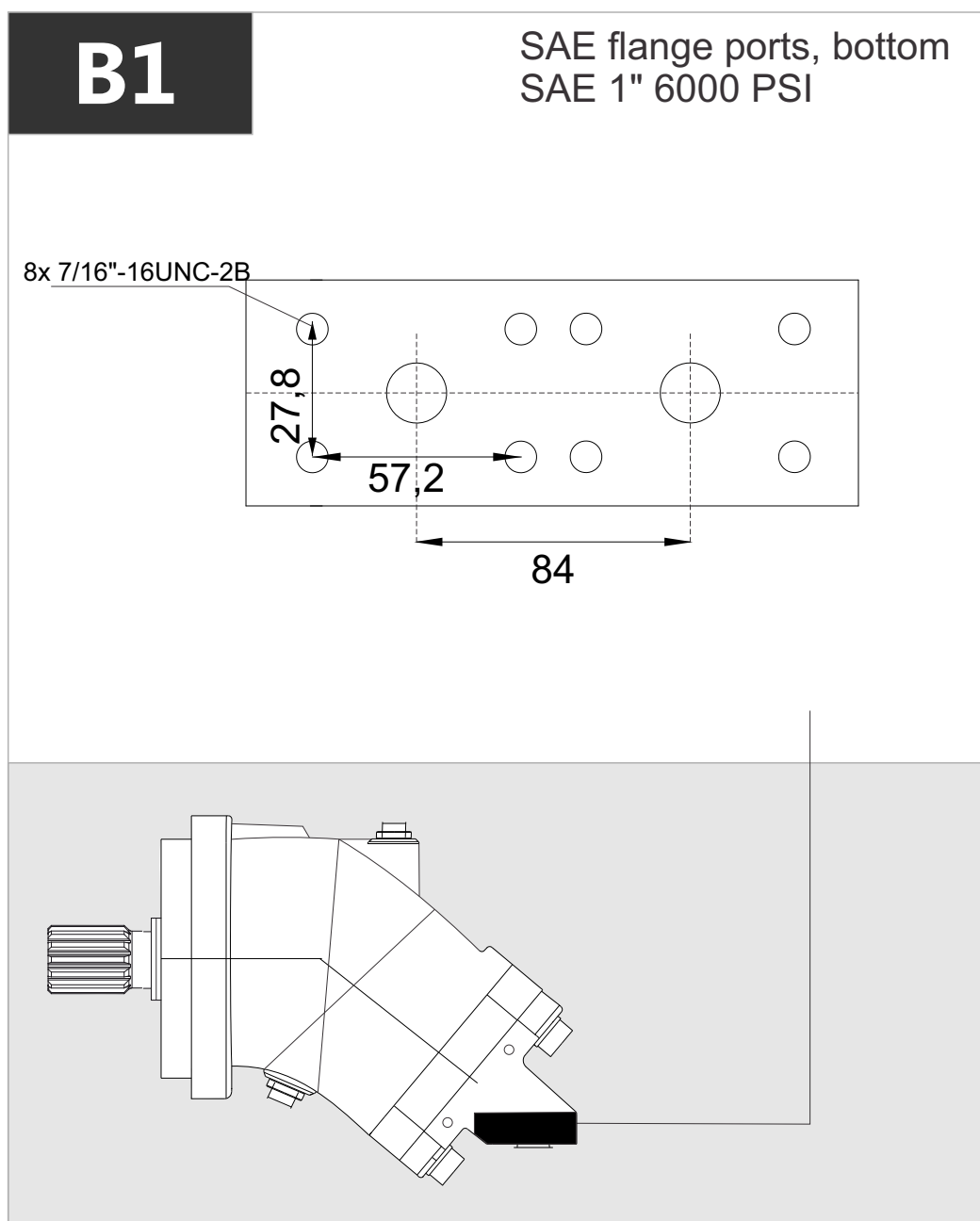
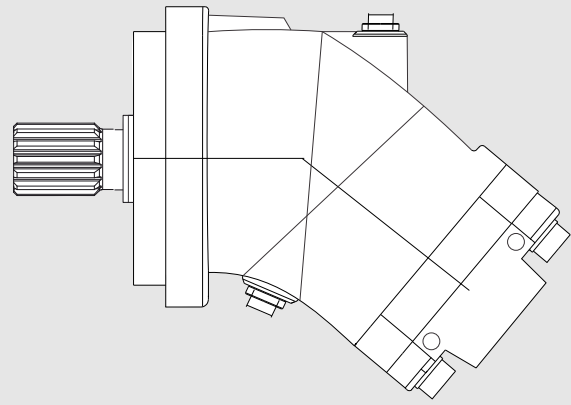
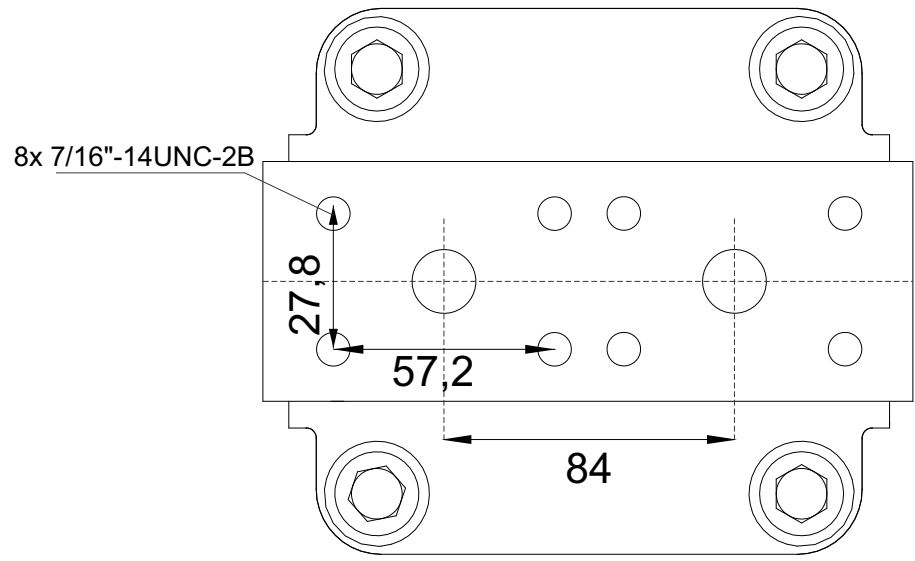
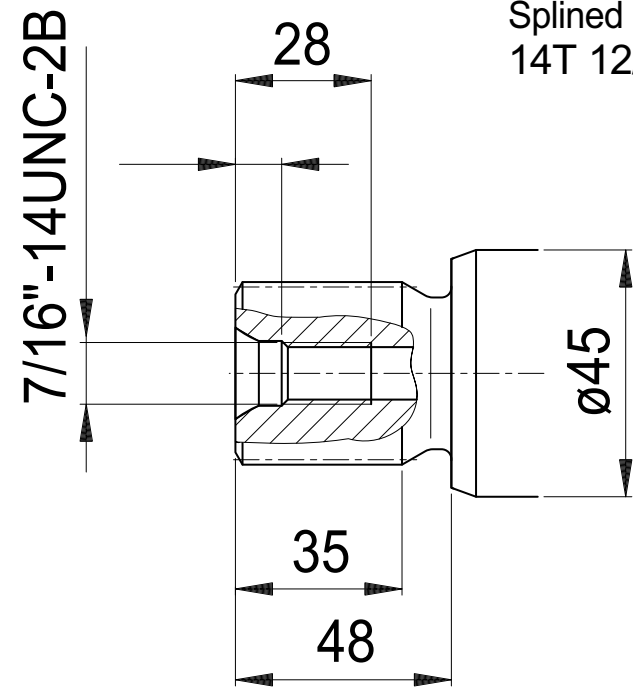
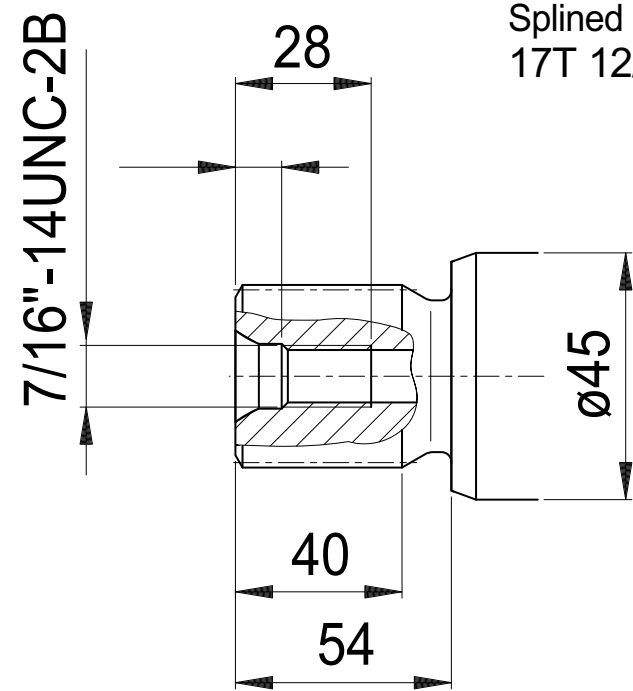


x 1000 rpm	x 1500 rpm	Max. Contin. Pump Speed	Max. Intermit. Pump Speed	Max. Contin. Pressure	Max. Peak Pressure	Torque bar	Torque at 350 bar	Max. Flow	Weight without accessor.	Weight with accessor.	Max. Motor Temp.	Min. Motor Temp.
108,4 cc	162,6 cc	4000 rpm	4400 rpm	400 bar	450 bar	1.69 m.N/bar	600 m.N	433	22,50 kg	23,00 kg	-25°	110°

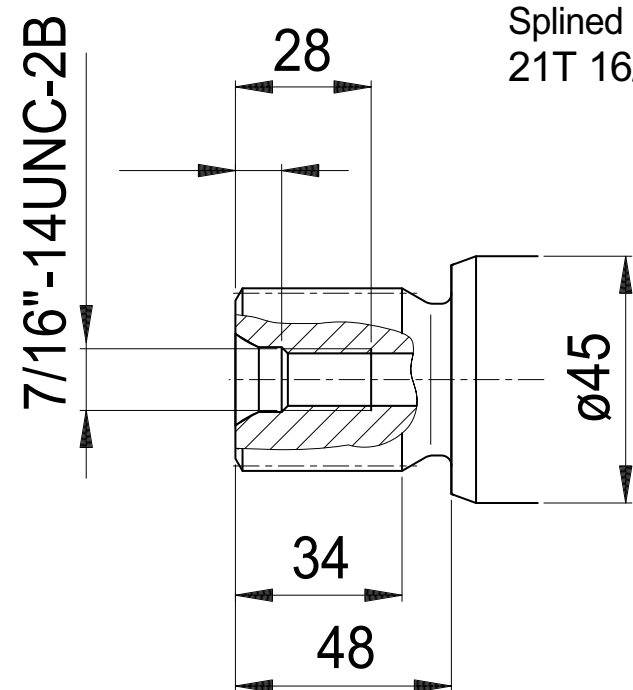


R1SAE flange ports rear
SAE 1" 6000 PSI**J1**Splined shaft
14T 12/24DP 1 1/4"

!! Special

J1Splined shaft
17T 12/24DP 1 1/2"

!! Special

J1Splined shaft
21T 16/32DP 1 3/8"**J2**Cylindrical keyed shaft
Ø 1 1/2"