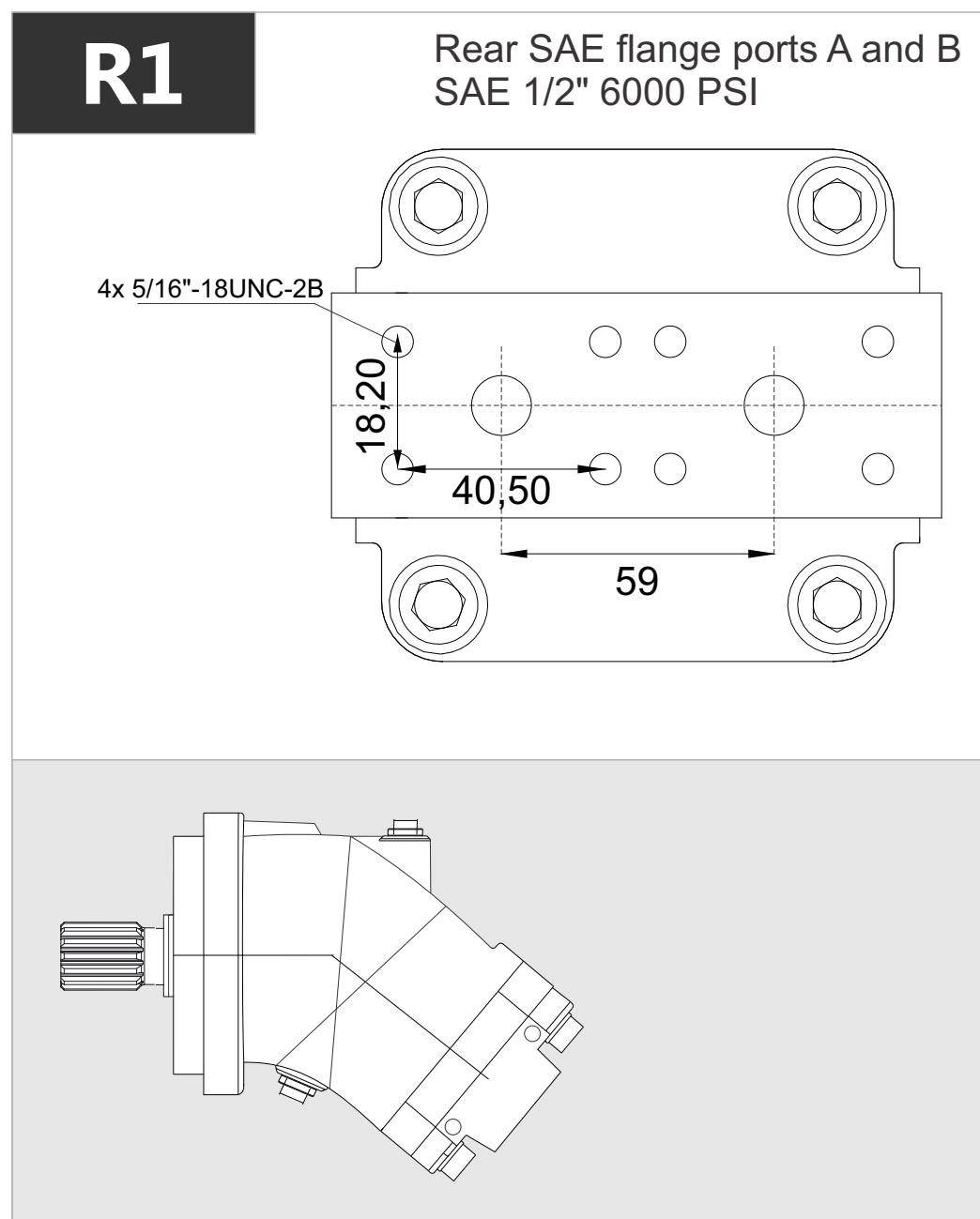
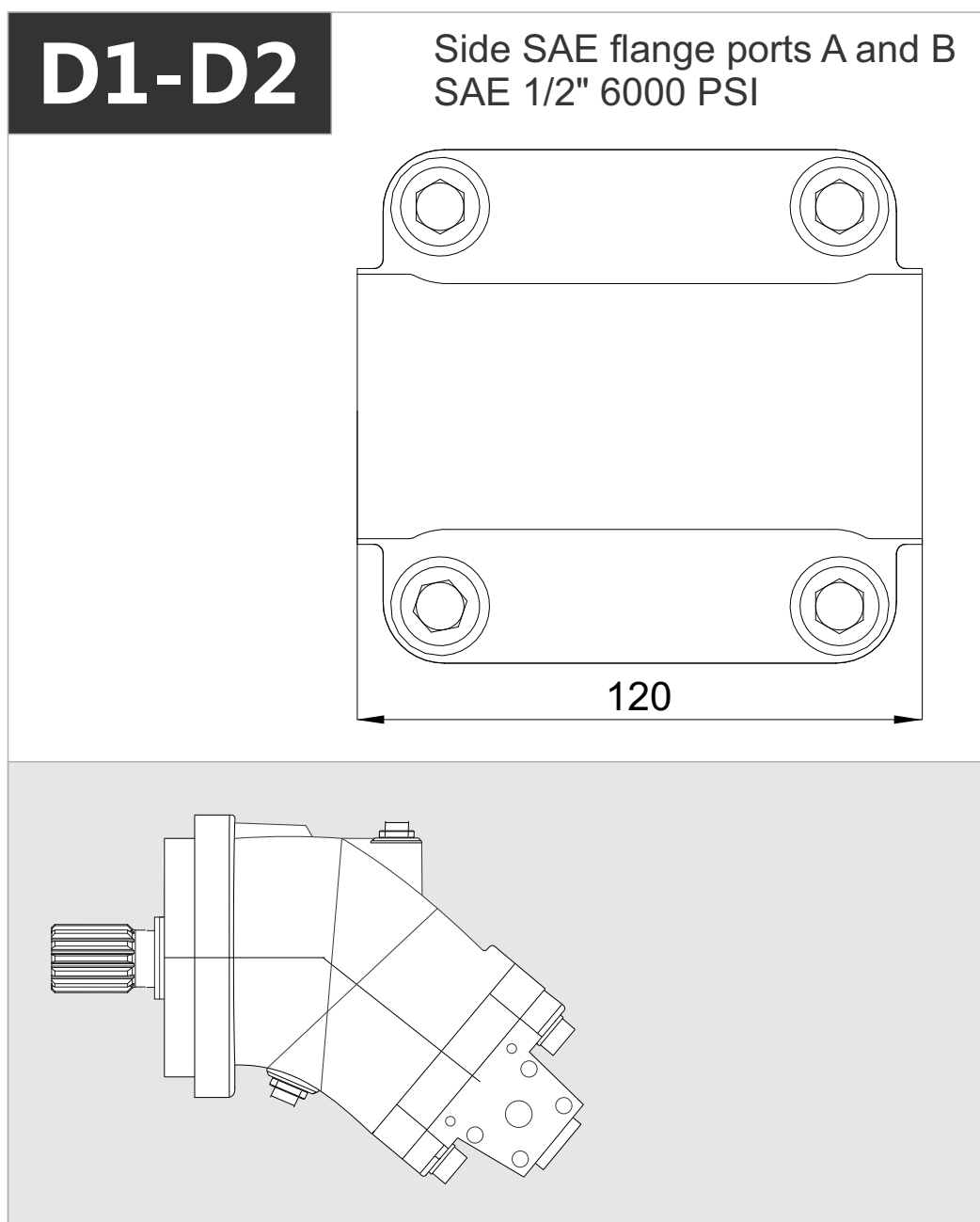


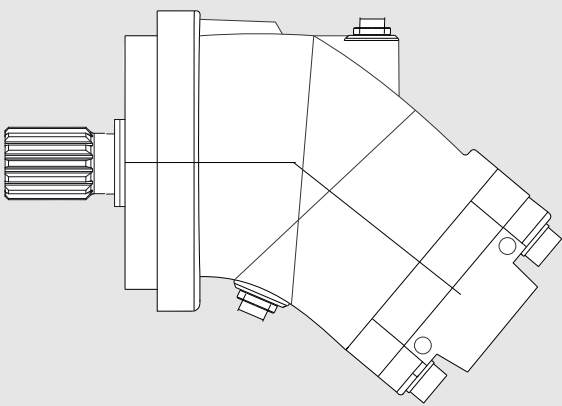
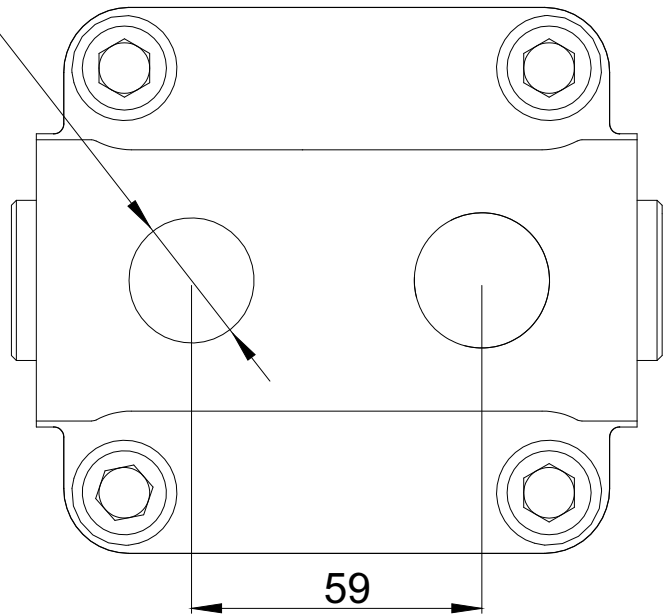
<i>x 1000 rpm</i>	<i>x 1500 rpm</i>	<i>Max. Contin. Pump Speed</i>	<i>Max. Intermit. Pump Speed</i>	<i>Max. Contin. Pressure</i>	<i>Max. Peak Pressure</i>	<i>Torque bar</i>	<i>Torque at 350 bar</i>	<i>Max. Flow</i>	<i>Weight without accessor.</i>	<i>Weight with accessor.</i>	<i>Max. Motor Temp.</i>	<i>Min. Motor Temp.</i>
25,00 cc	37,50 cc	6250 rpm	6800 rpm	400 bar	450 bar	0.40 m.N/bar	140 m.N	156	11,50 kg	11,80 kg	-25°	110°



R2

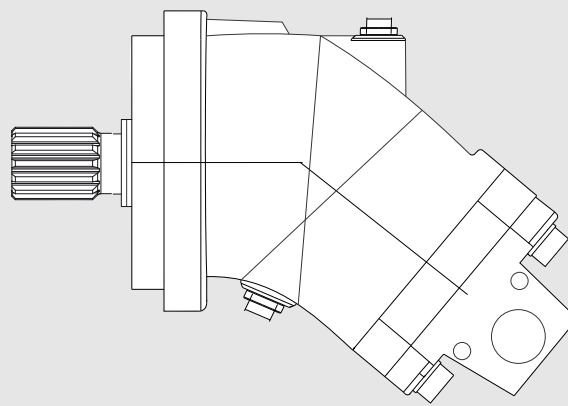
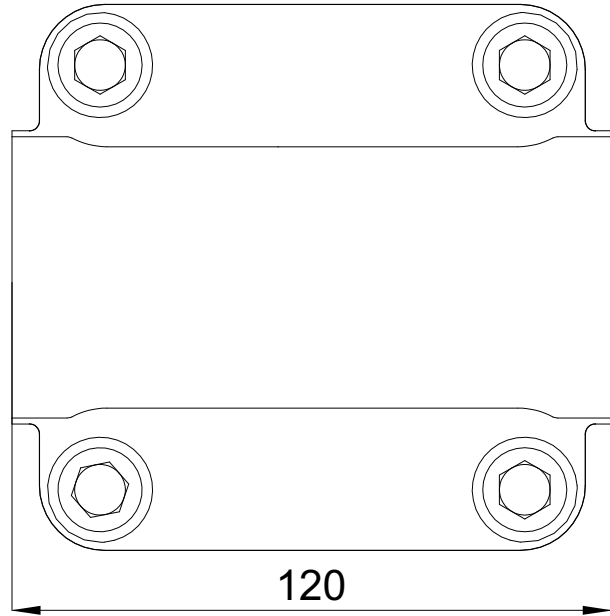
Rear threaded ports A and B

2x1 5/16"-
12UN-2B



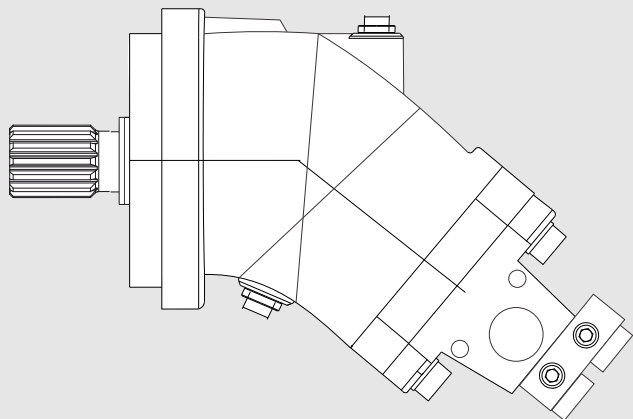
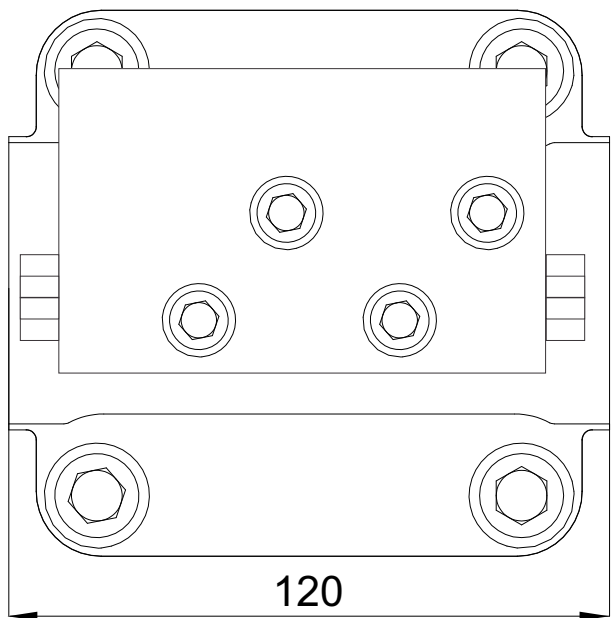
D3

Side threaded ports



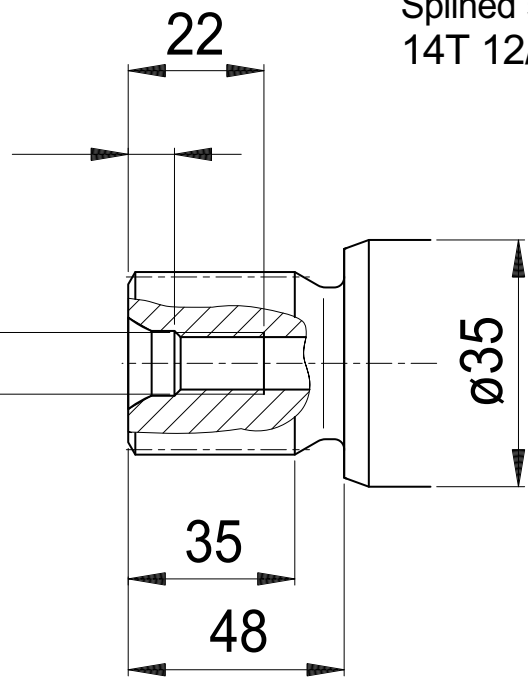
D4

Side threaded ports



J1

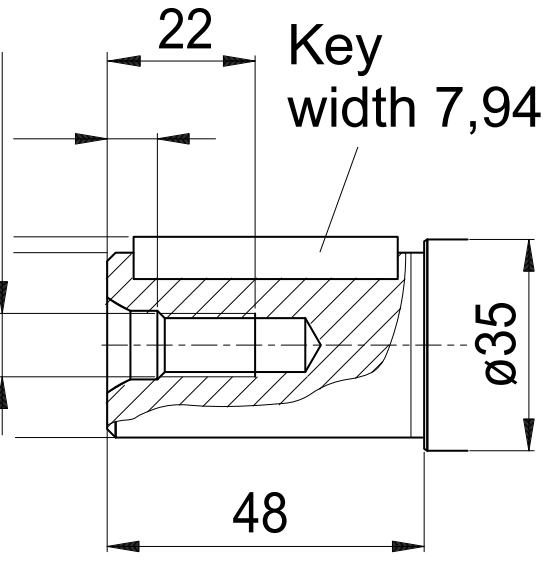
7/16" -14UNC-2B



Splined shaft
14T 12/24DP 1 1/4"

J2

35,20
ø31,75
7/16" -14UNC-2B



Cylindrical keyed shaft
Ø 1 1/4"

Key
width 7,94