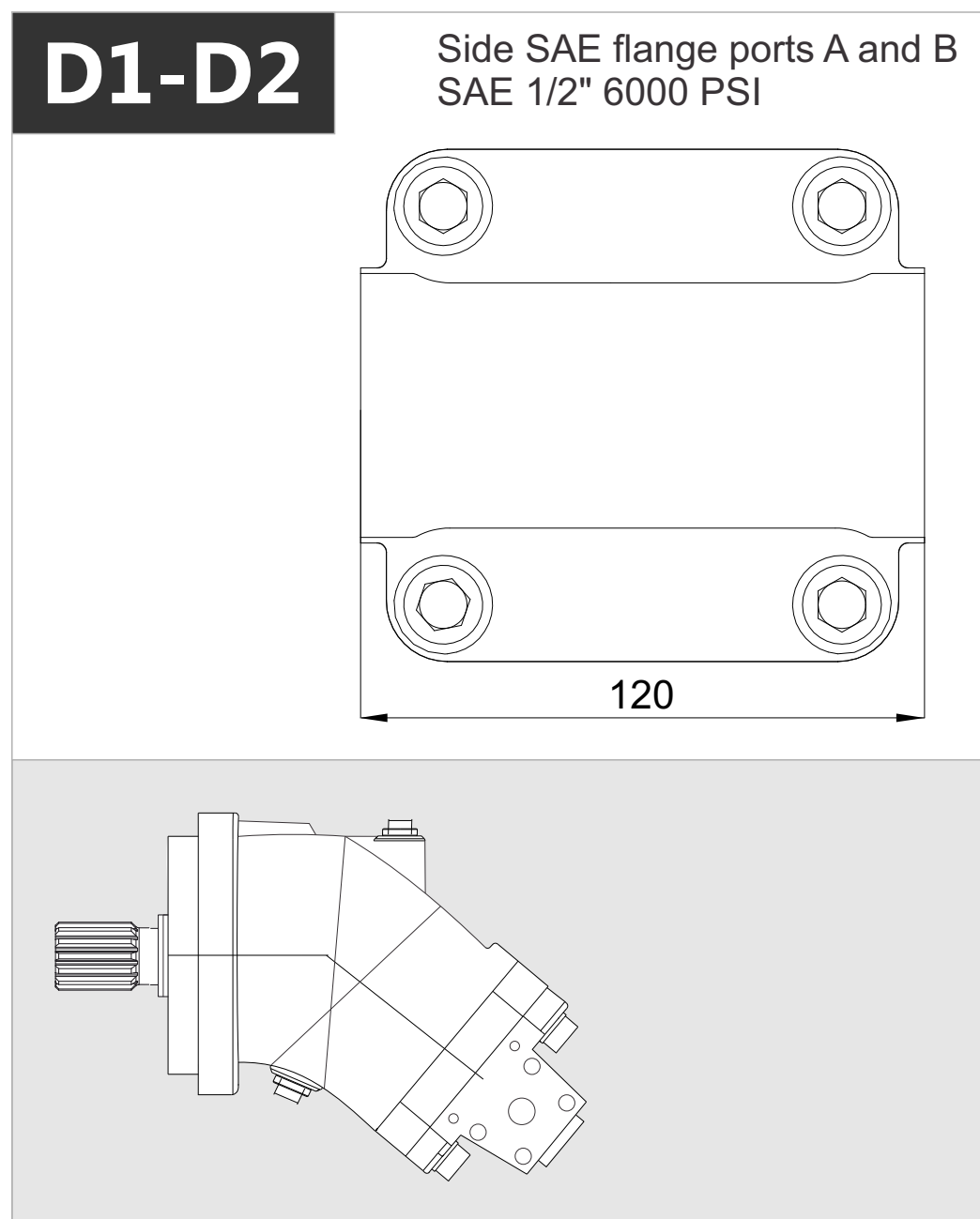
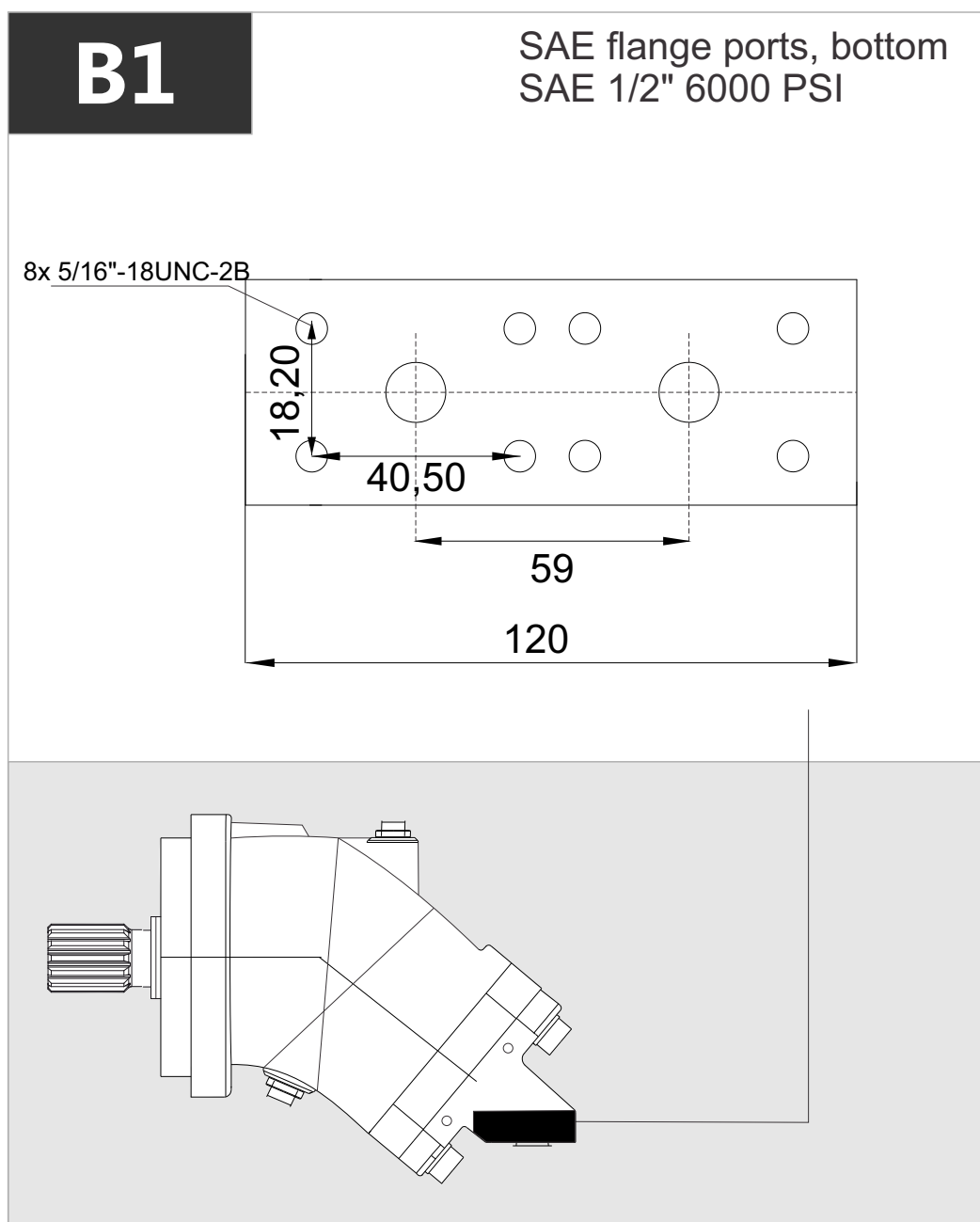


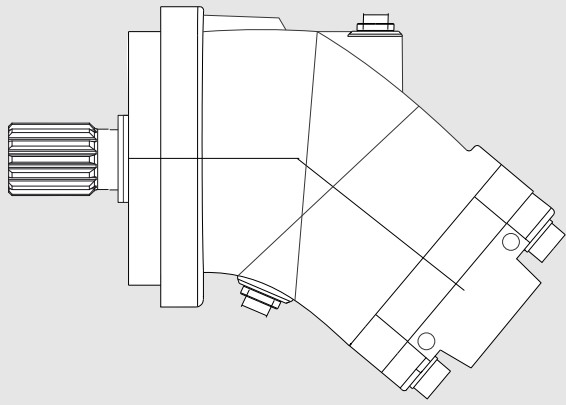
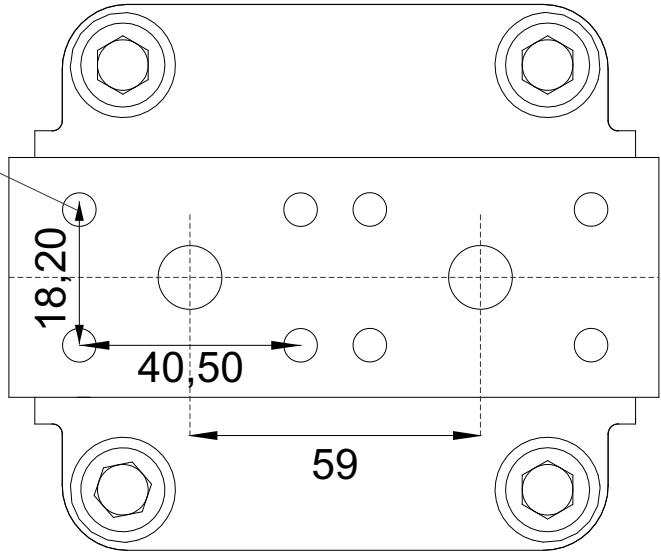
x 1000 rpm	x 1500 rpm	Max. Contin. Pump Speed	Max. Intermit. Pump Speed	Max. Contin. Pressure	Max. Peak Pressure	Torque bar	Torque at 350 bar	Max. Flow	Weight without accessor.	Weight with accessor.	Max. Motor Temp.	Min. Motor Temp.
32,00 cc	48,00 cc	6250 rpm	6800 rpm	400 bar	450 bar	0.51 m.N/bar	174 m.N	200	11,50 kg	11,90 kg	-25°	110°



**R1**

Rear SAE flange ports A and B  
SAE 1/2" 6000 PSI

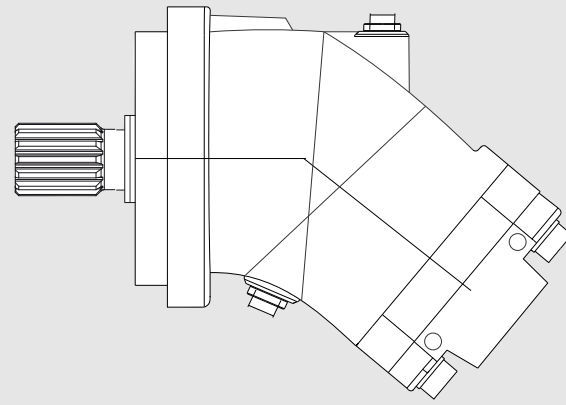
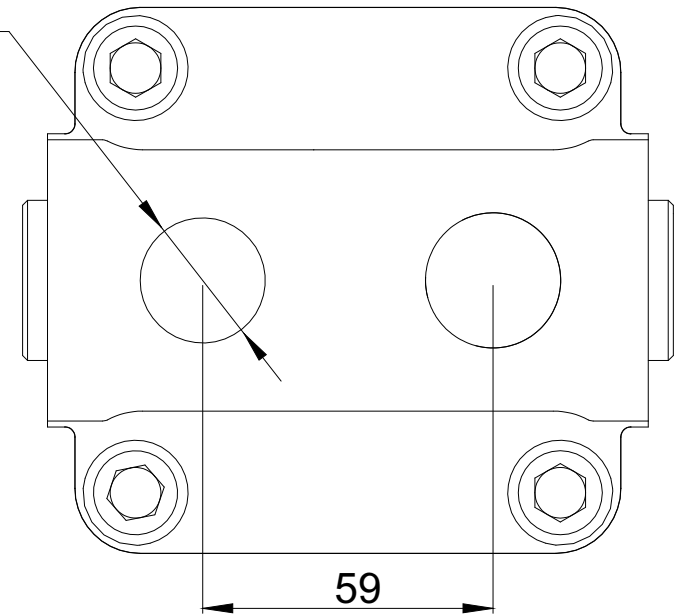
4x 5/16"-18UNC-2B



**R2**

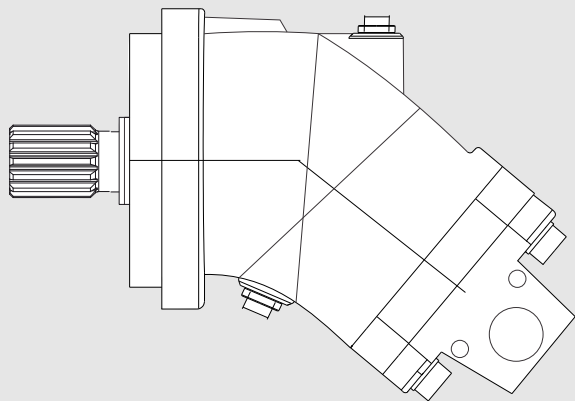
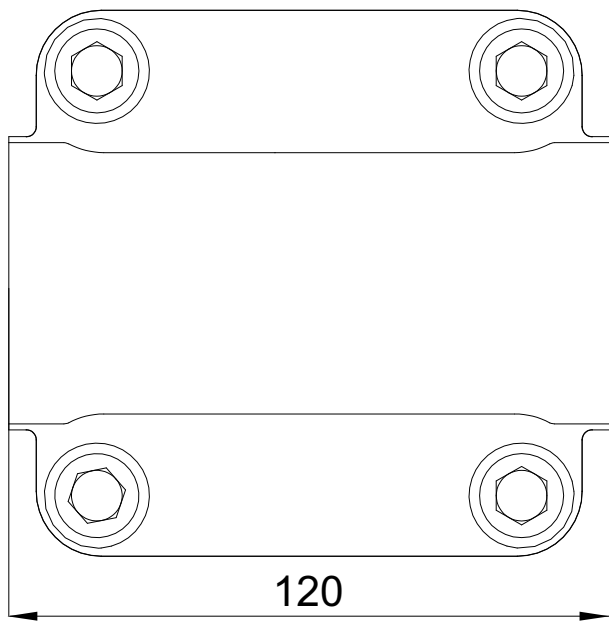
Rear threaded ports

2x 1 5/16"-12UN-2B



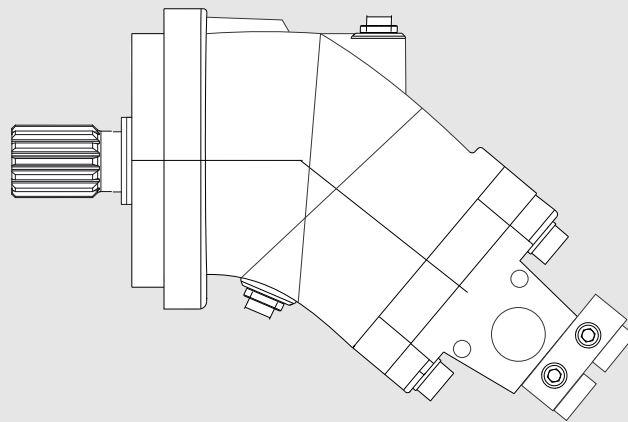
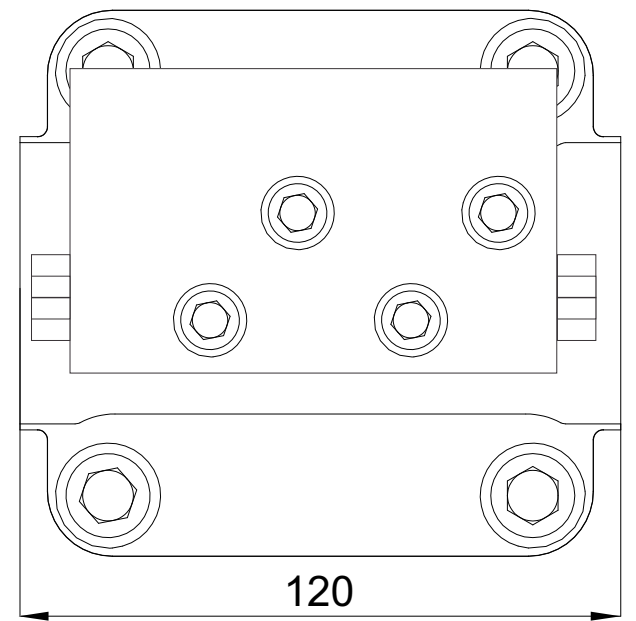
**D3**

Side threaded ports A and B



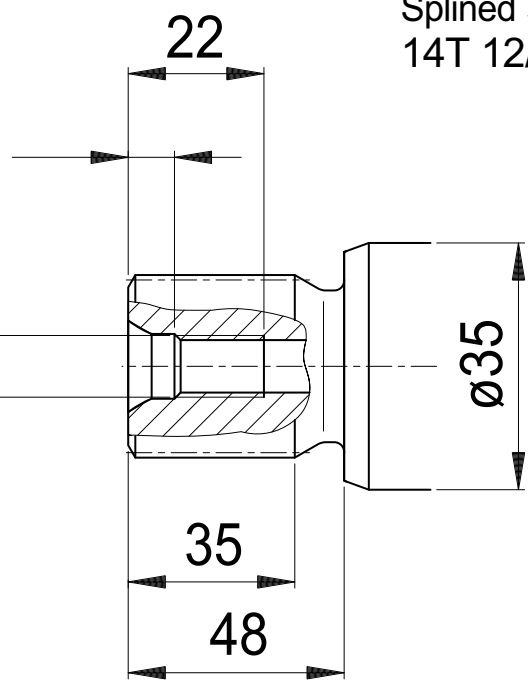
**D4**

Side threaded ports A and B



**J1**

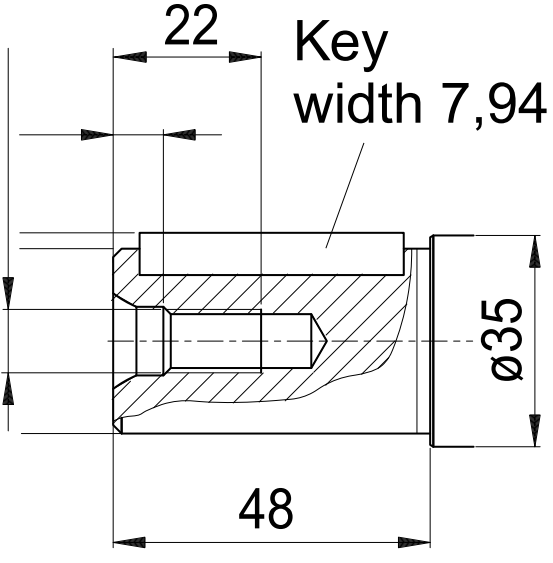
7/16" -14UNC-2B



Splined shaft  
14T 12/24DP 1 1/4"

**J2**

35,20  
Ø31,75  
7/16" -14UNC-2B



Cylindrical keyed shaft  
Ø 1 1/4"

Key  
width 7,94