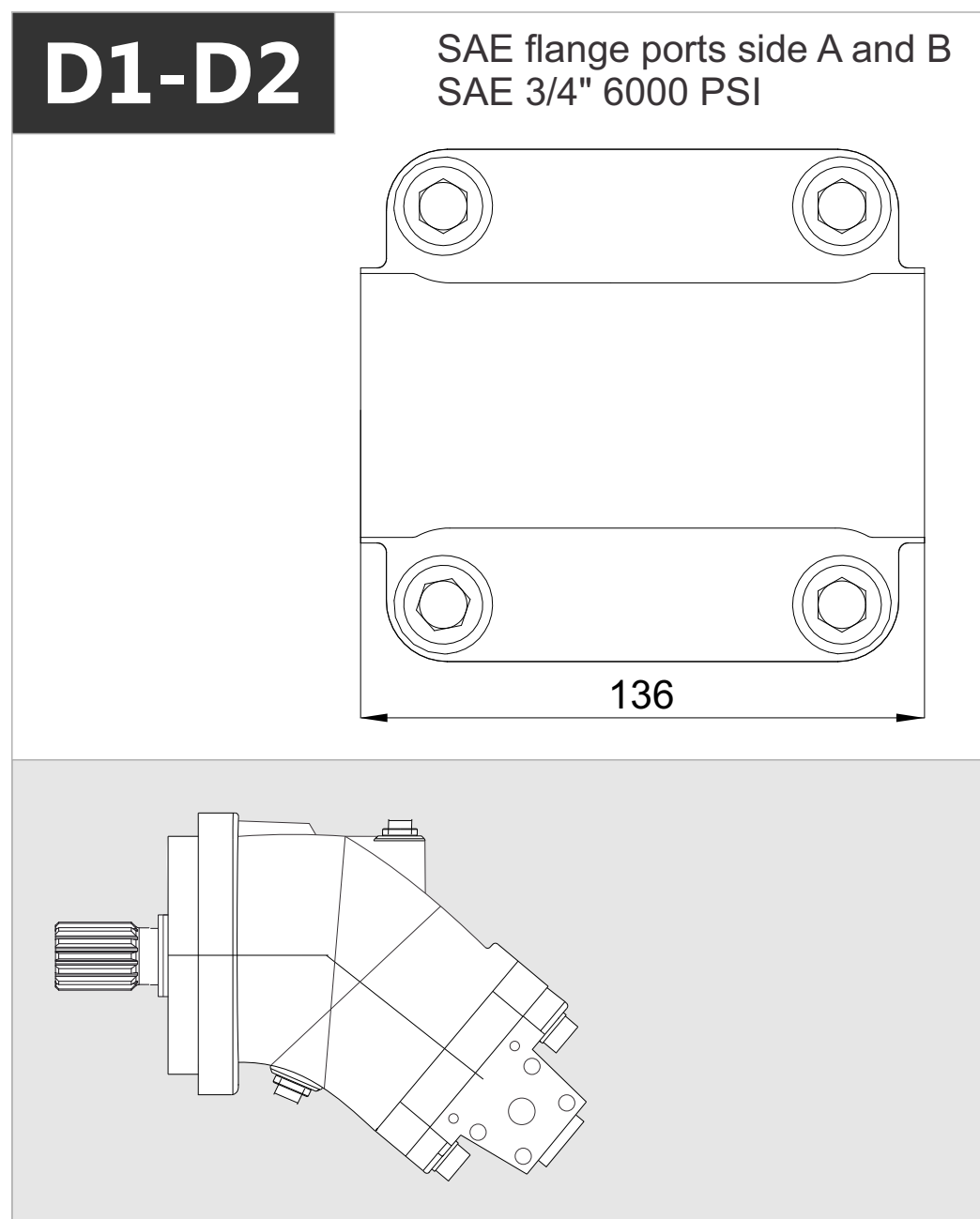
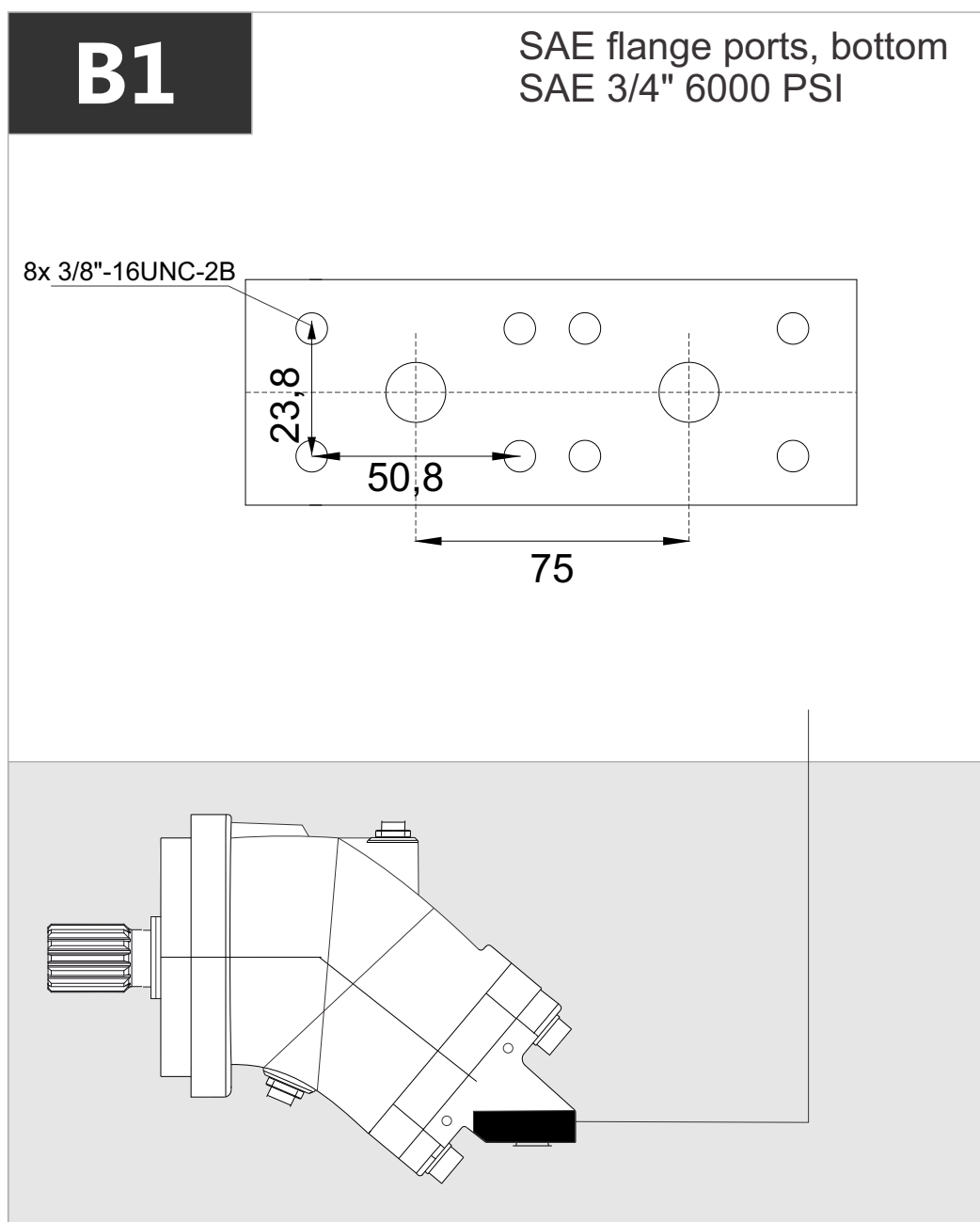
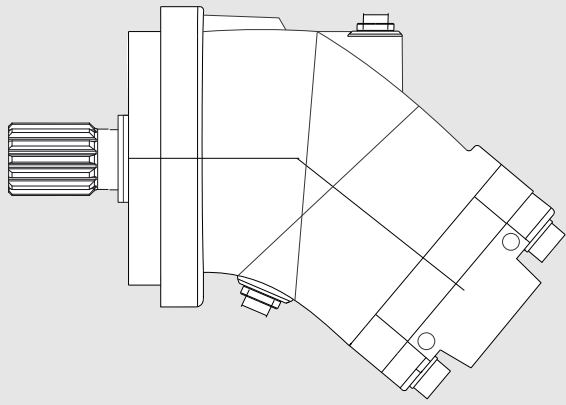
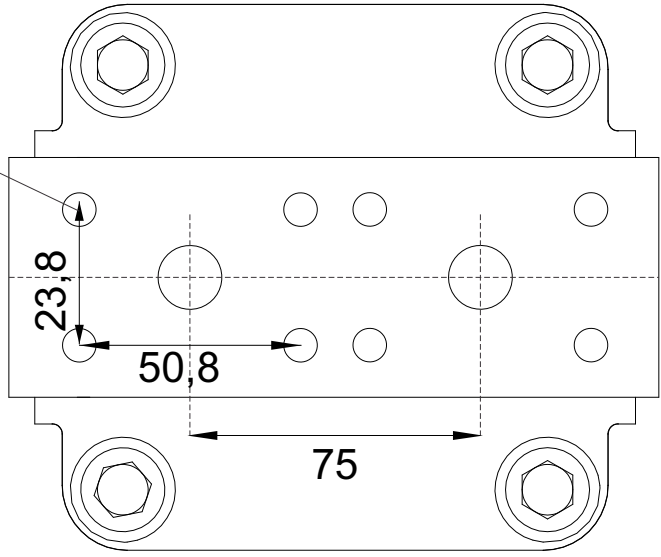


x 1000 rpm	x 1500 rpm	Max. Contin. Pump Speed	Max. Intermit. Pump Speed	Max. Contin. Pressure	Max. Peak Pressure	Torque bar	Torque at 350 bar	Max. Flow	Weight without accessor.	Weight with accessor.	Max. Motor Temp.	Min. Motor Temp.
50,00 cc	75,00 cc	5000 rpm	5500 rpm	400 bar	450 bar	0.80 m.N/bar	280 m.N	250	17,50 kg	18,00 kg	-25°	110°



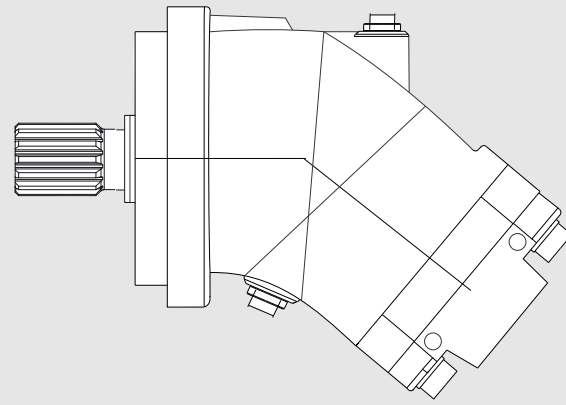
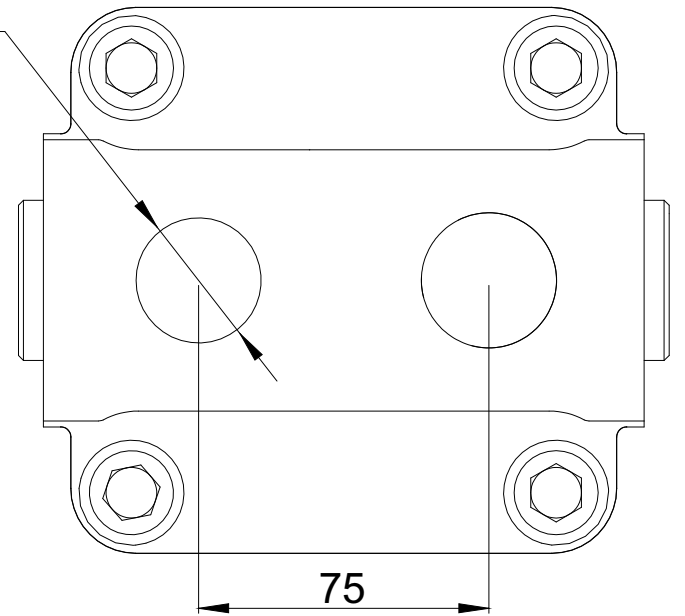
R1SAE flange ports rear
SAE 3/4" 6000 PSI

4x 3/8"-16UNC-2B

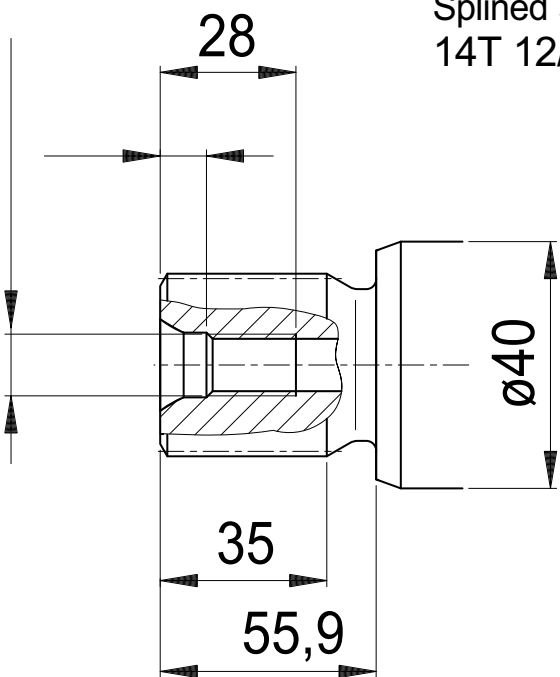
**R2**

Rear threaded ports

2x 1 5/16"-12UN-2B

**J1**

7/16"-14UNC-2B

Splined shaft
14T 12/24DP 1 1/4"**J2**Cylindrical keyed shaft
Ø 1 1/4"Key
width 7,94