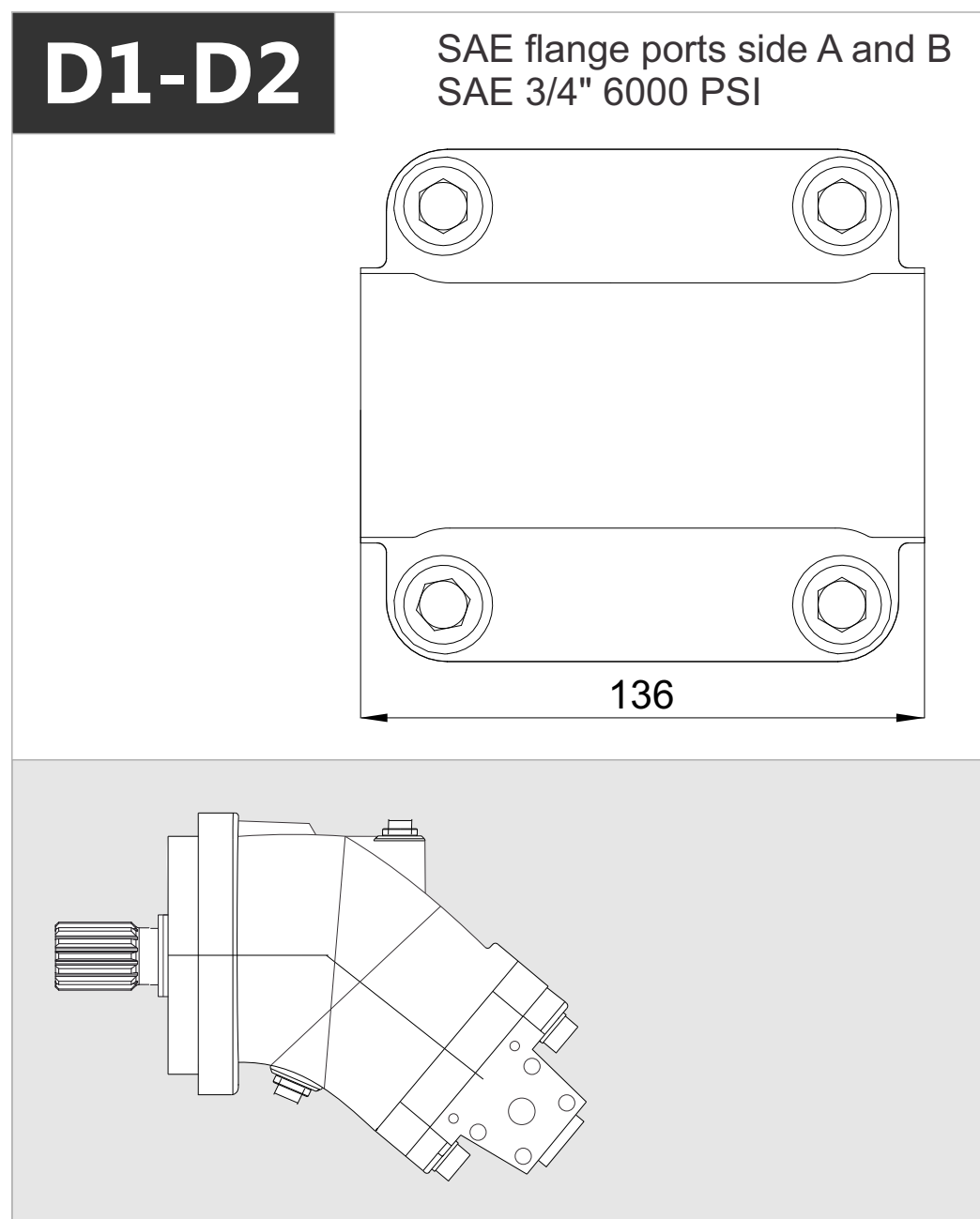
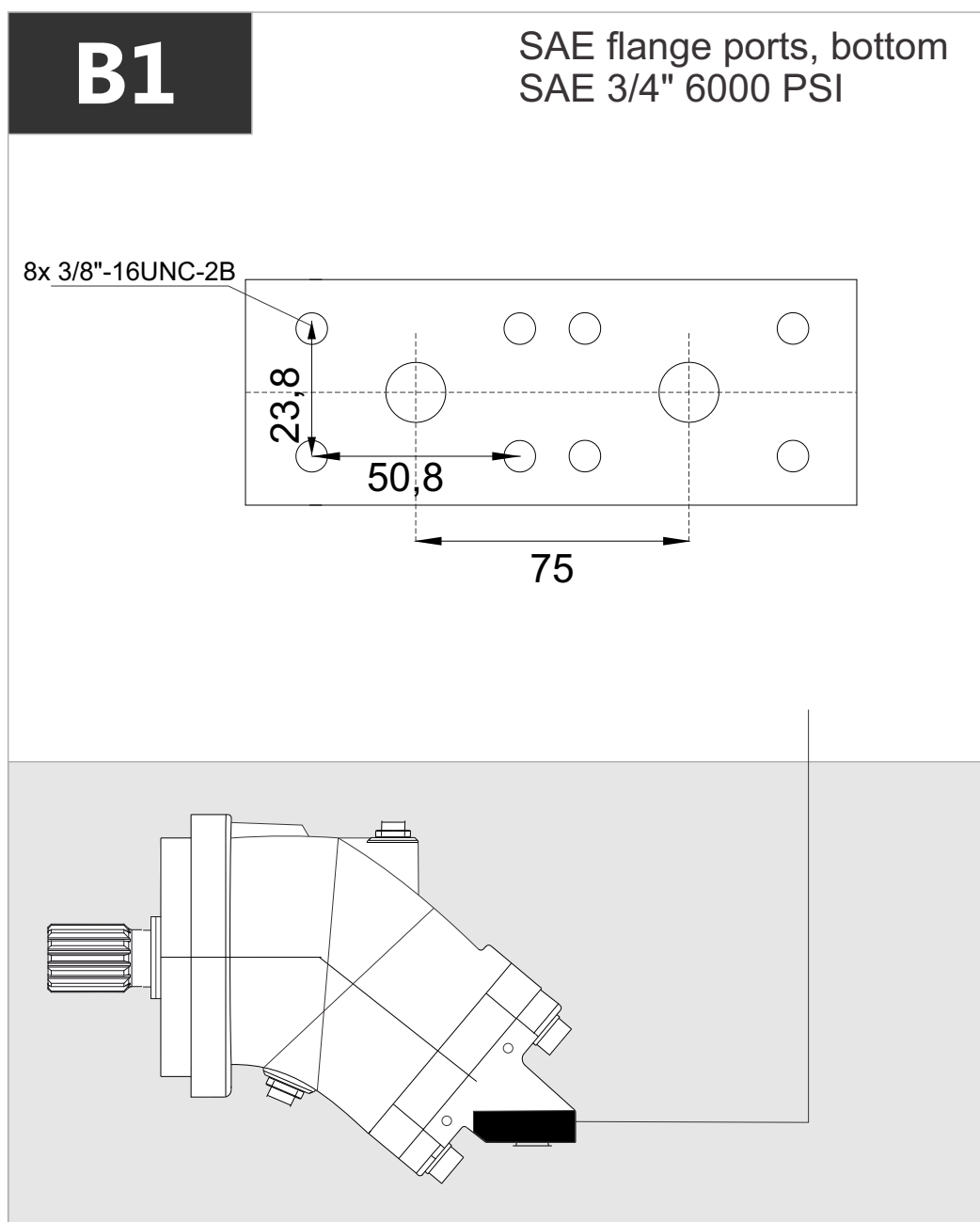
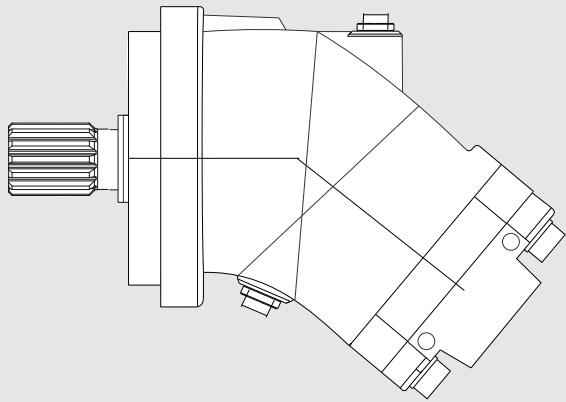
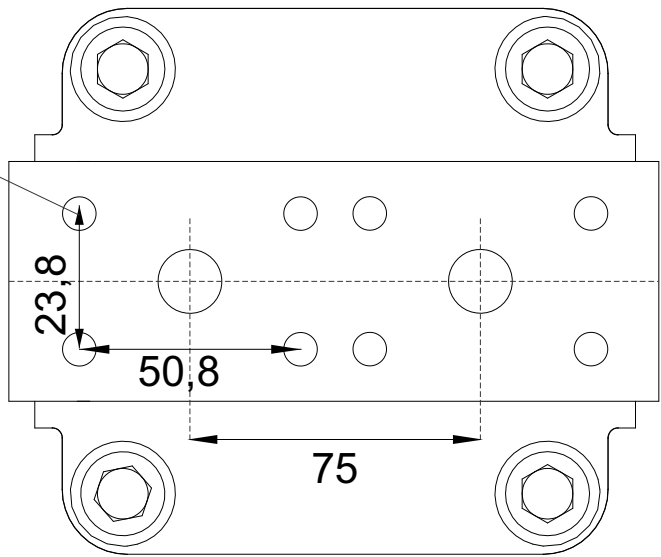


x 1000 rpm	x 1500 rpm	Max. Contin. Pump Speed	Max. Intermit. Pump Speed	Max. Contin. Pressure	Max. Peak Pressure	Torque bar	Torque at 350 bar	Max. Flow	Weight without accessor.	Weight with accessor.	Max. Motor Temp.	Min. Motor Temp.
63,00 cc	94,50 cc	5000 rpm	5500 rpm	400 bar	450 bar	1.00 m.N/bar	350 m.N	315	18,00 kg	18,50 kg	-25°	110°



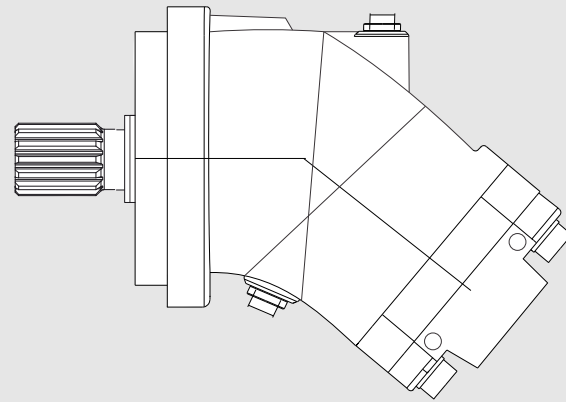
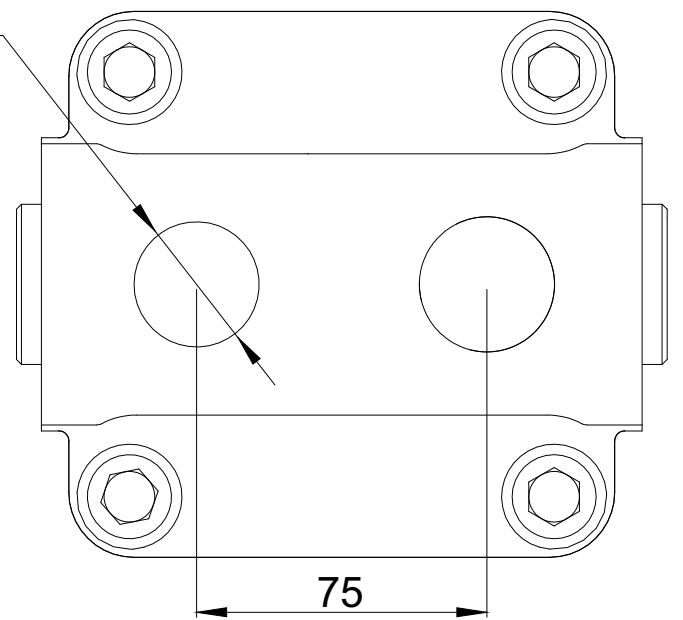
**R1**SAE flange ports rear  
SAE 3/4" 6000 PSI

4x 3/8"-16UNC-2B

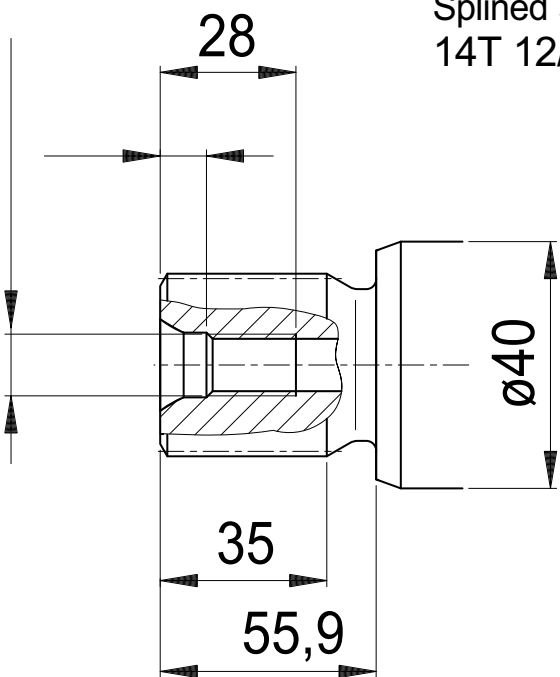
**R2**

Rear threaded ports

2x 1 5/16"-12UN-2B

**J1**

7/16"-14UNC-2B

Splined shaft  
14T 12/24DP 1 1/4"**J2**Cylindrical keyed shaft  
Ø 1 1/4"Key  
width 7,94