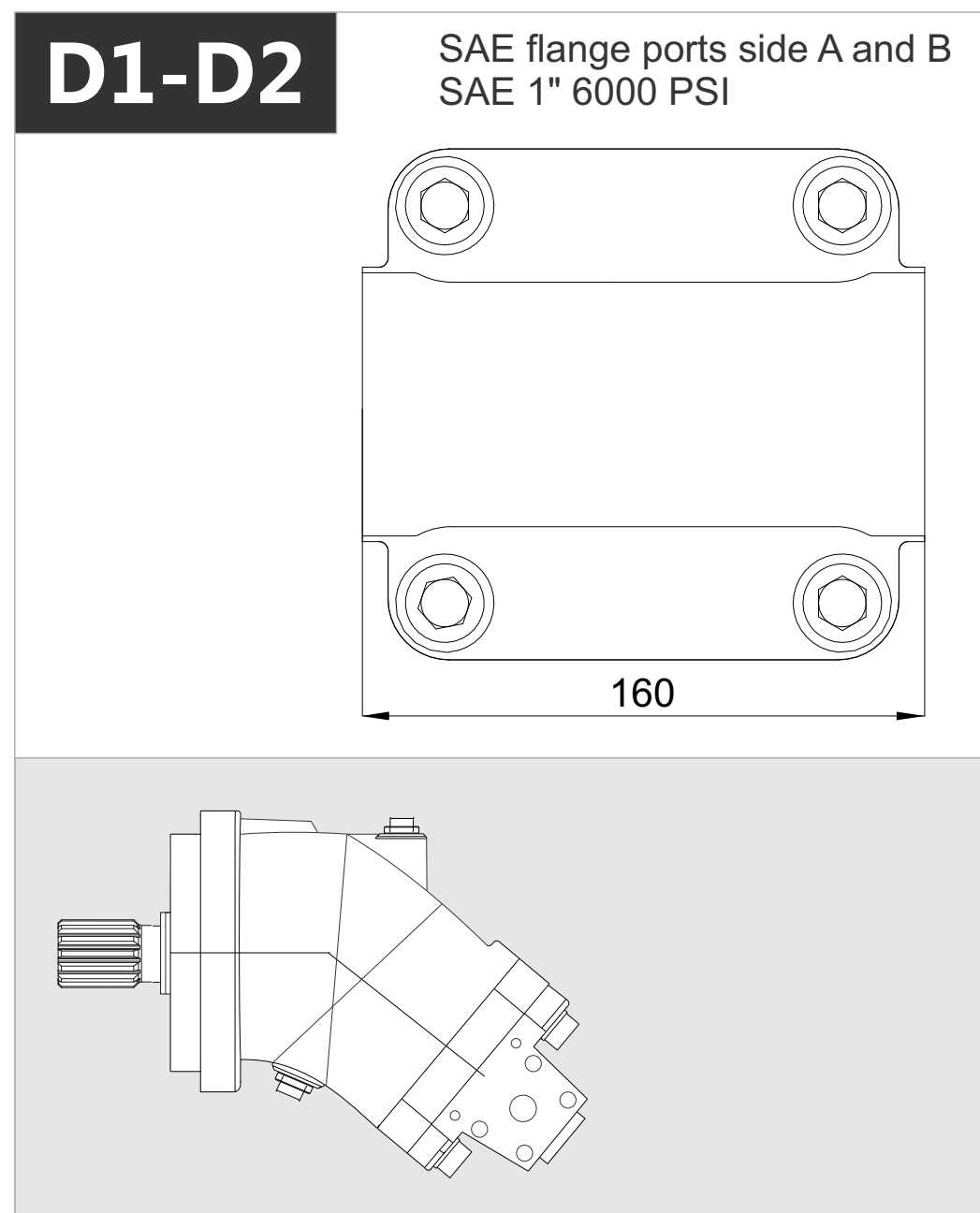
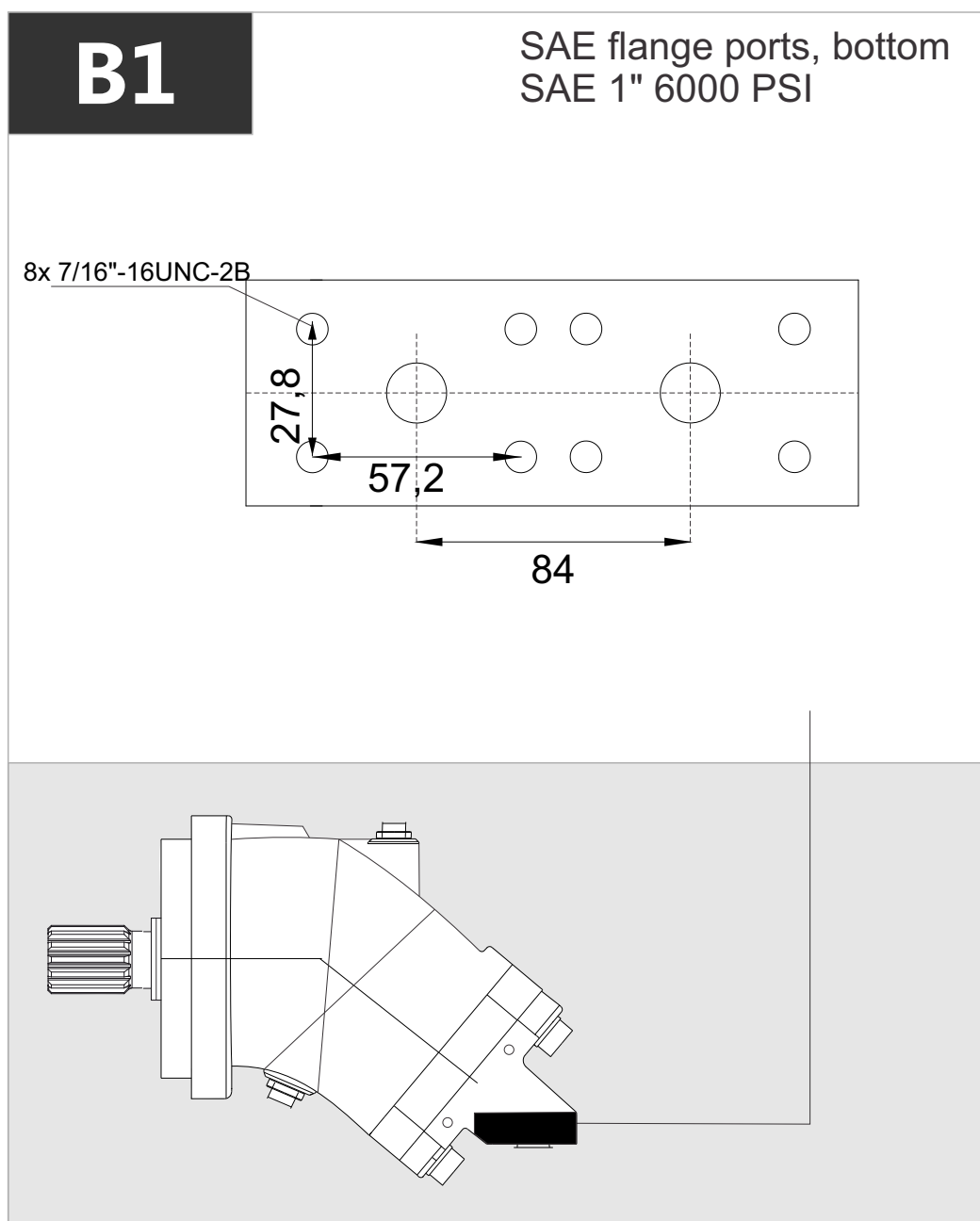
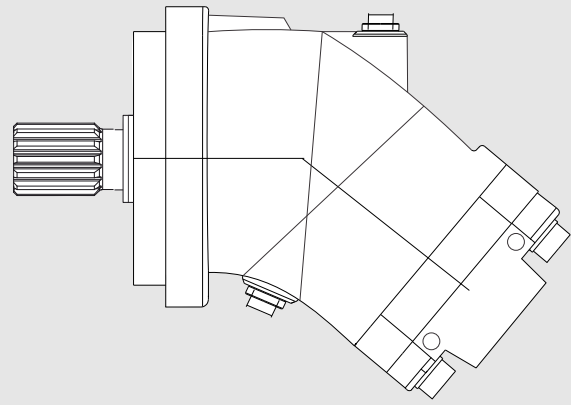
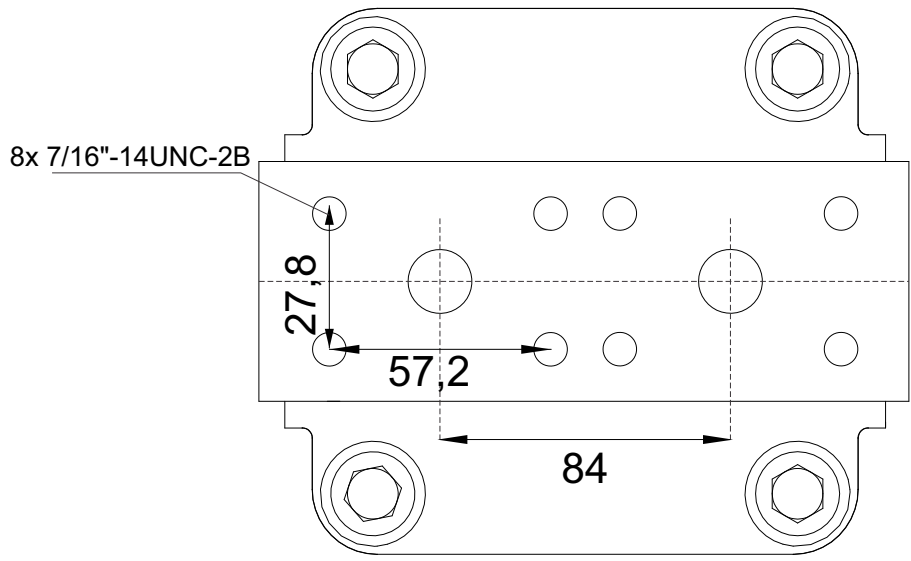


x 1000 rpm	x 1500 rpm	Max. Contin. Pump Speed	Max. Intermit. Pump Speed	Max. Contin. Pressure	Max. Peak Pressure	Torque bar	Torque at 350 bar	Max. Flow	Weight without accessor.	Weight with accessor.	Max. Motor Temp.	Min. Motor Temp.
80,00 cc	120,00 cc	4400 rpm	4900 rpm	400 bar	450 bar	1.28 m.N/bar	440 m.N	352	22,00 kg	22,50 kg	-25°	110°



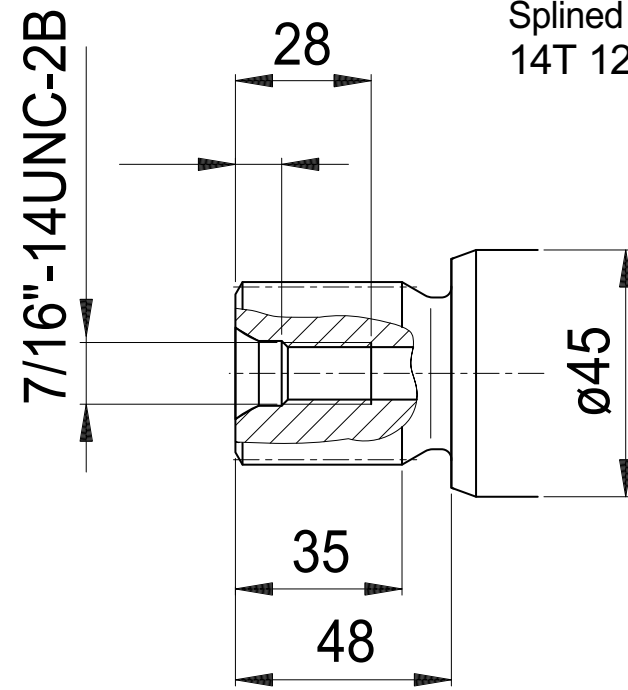
**R1**

SAE flange ports rear  
SAE 1" 6000 PSI



**J1**

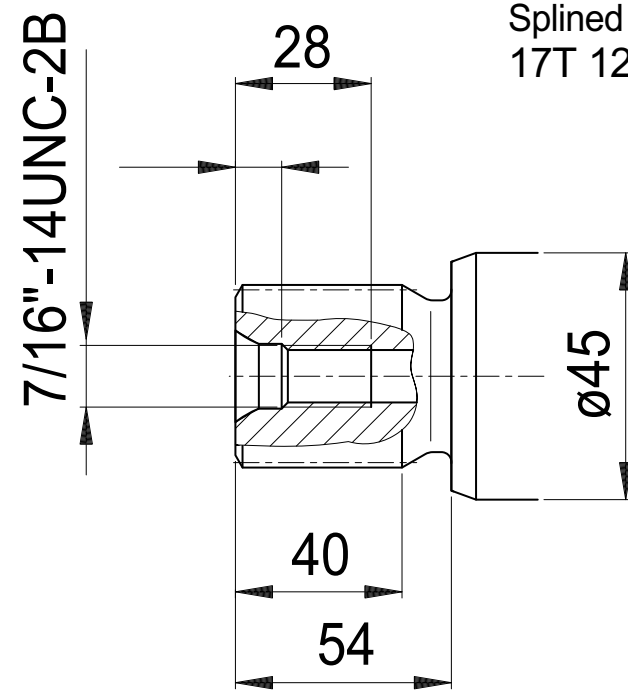
Splined shaft  
14T 12/24DP 1 1/4"



!! Special

**J1**

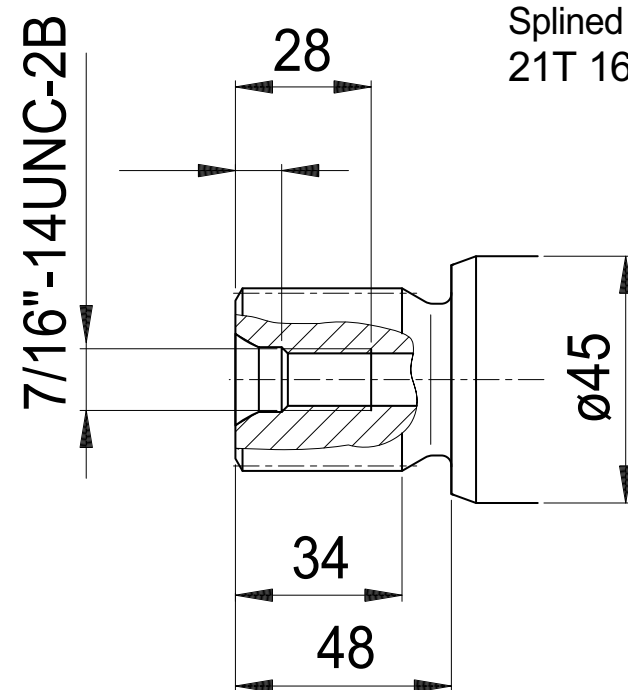
Splined shaft  
17T 12/24DP 1 1/2"



!! Special

**J1**

Splined shaft  
21T 16/32DP 1 3/8"



**J2**

Cylindrical keyed shaft  
Ø 1 1/2"

