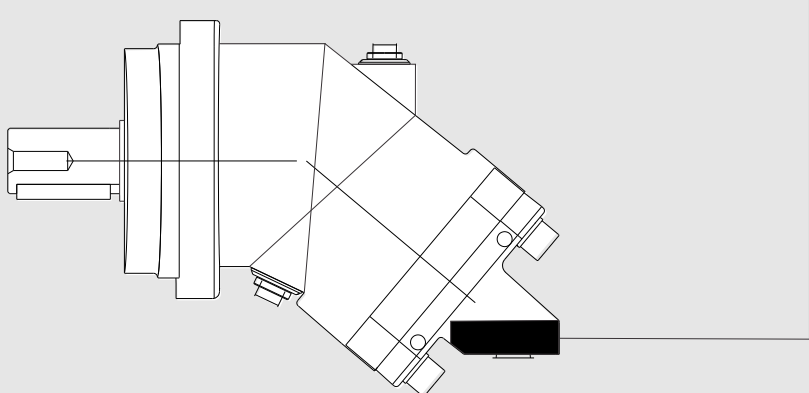
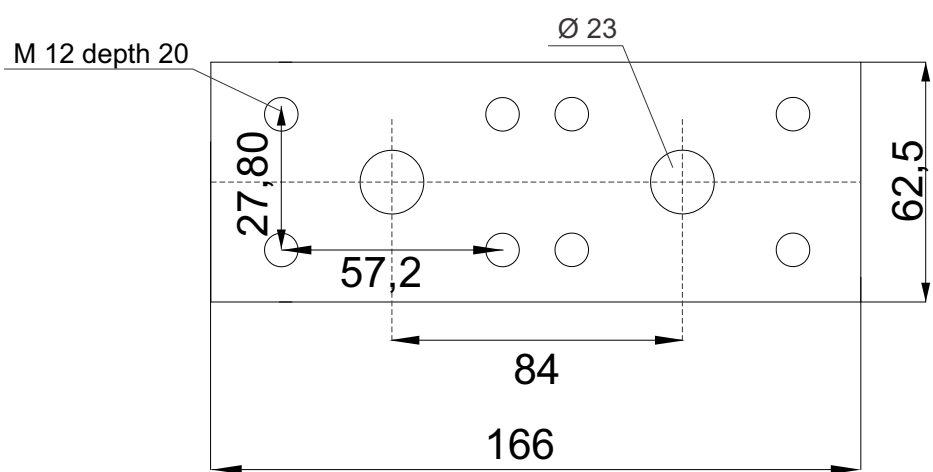


x 1000 rpm	x 1500 rpm	Max. Contin. Pump Speed	Max. Intermit. Pump Speed	Max. Contin. Pressure	Max. Peak Pressure	Torque bar	Torque at 350 bar	Max. Flow	Weight without accessor.	Weight with accessor.	Max. Motor Temp.	Min. Motor Temp.
108,4 cc	162,6 cc	4000 rpm	4400 rpm	400 bar	450 bar	1.69 m.N/bar	600 m.N	433	22,50 kg	23,00 kg	-25°	110°

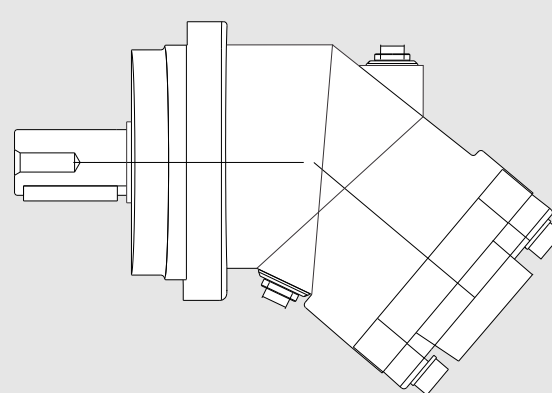
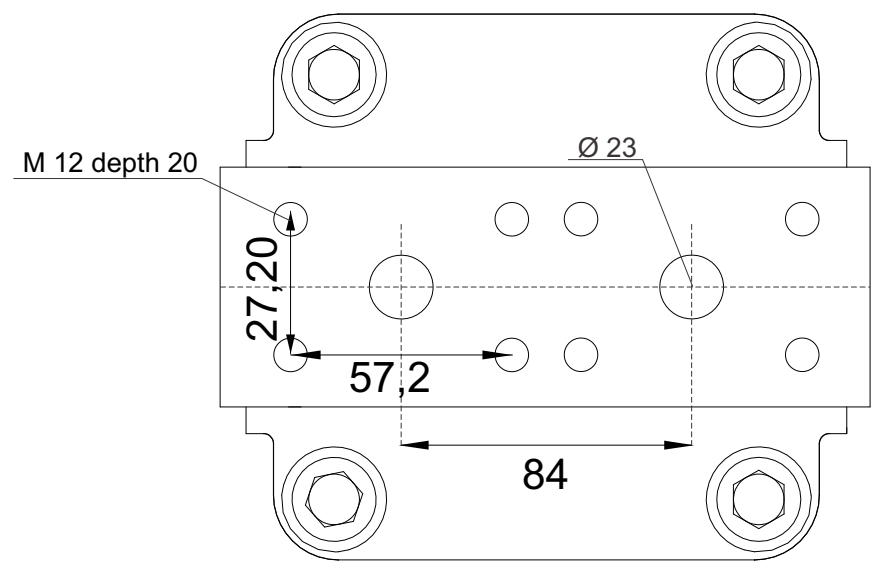
B1

SAE flange ports, bottom
SAE 1" 6000 PSI



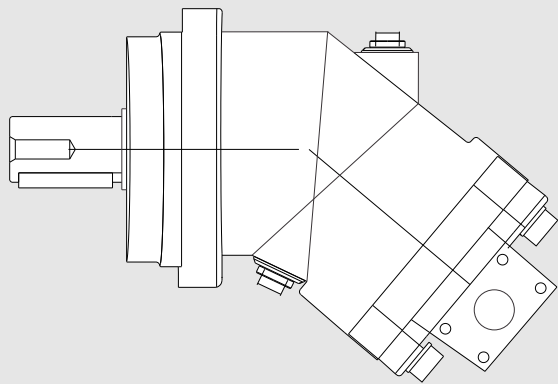
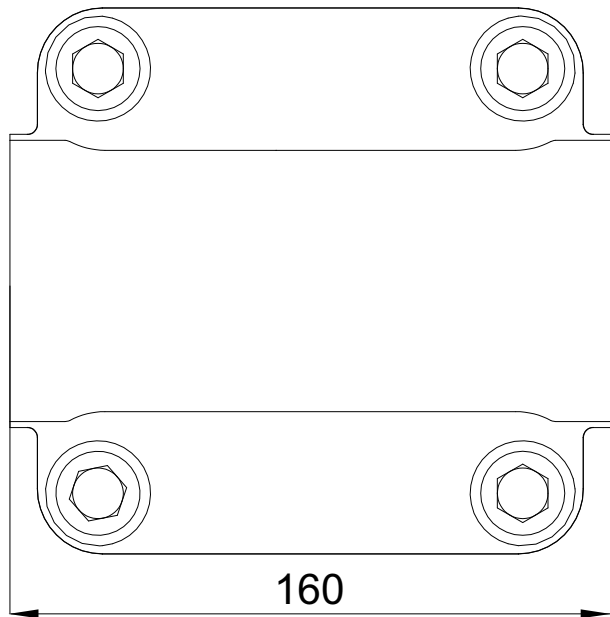
R1

SAE flange ports, rear
SAE 1" 6000 PSI



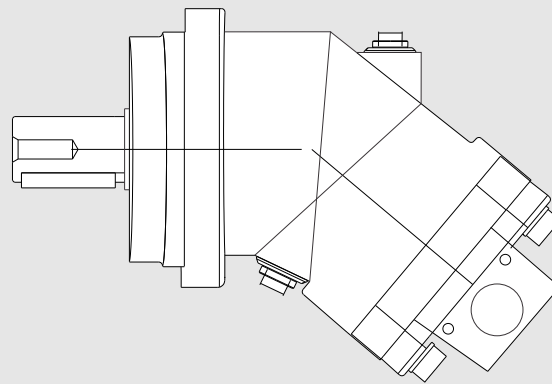
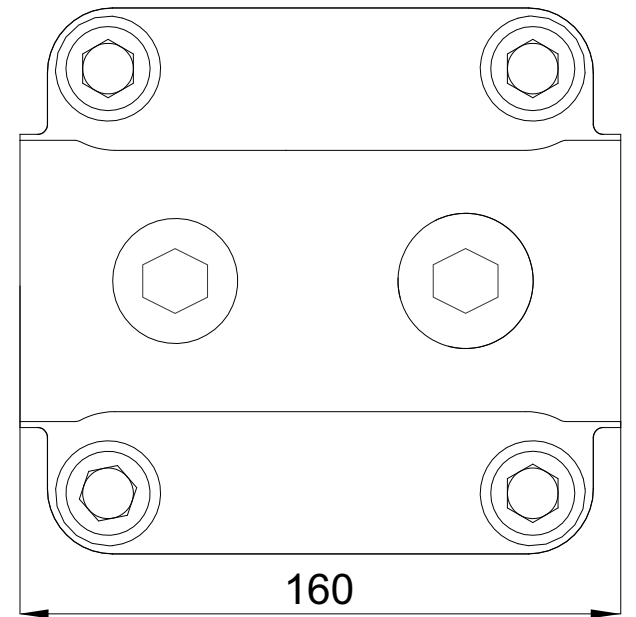
D1-D2

SAE flange ports, side
SAE 1" 6000 PSI



D3

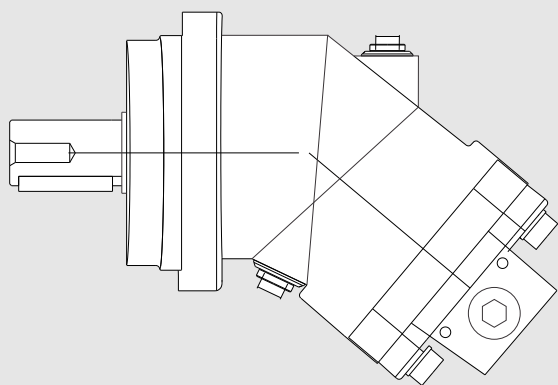
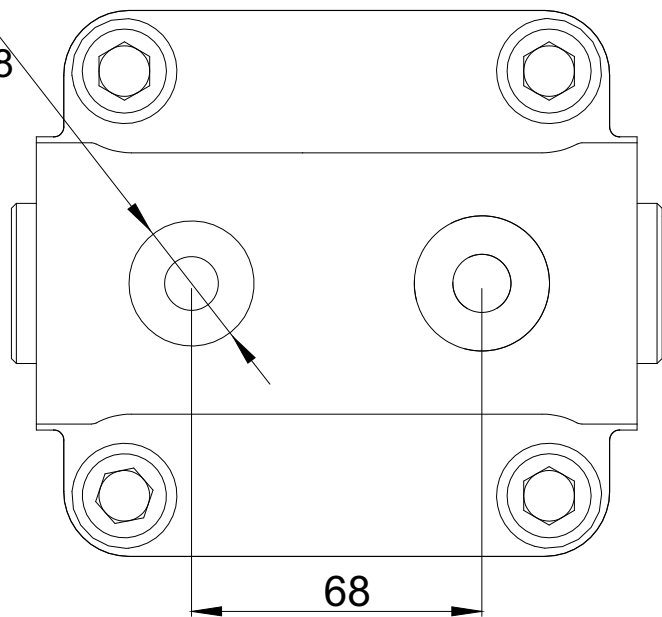
Side threaded ports



R2

Rear threaded ports

M33x2 depth 18



D4

Side threaded ports

