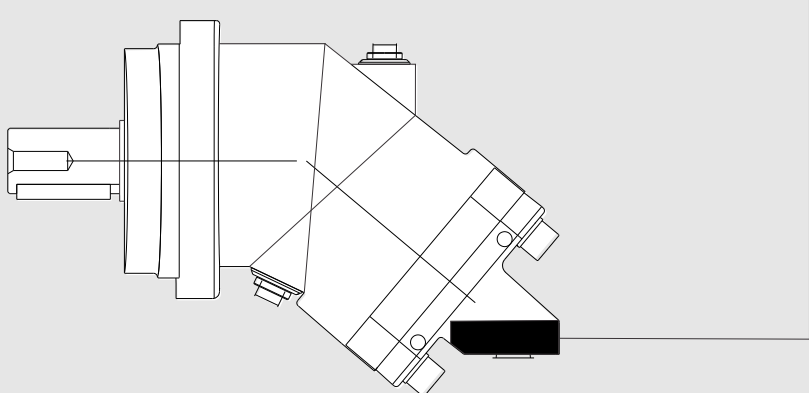
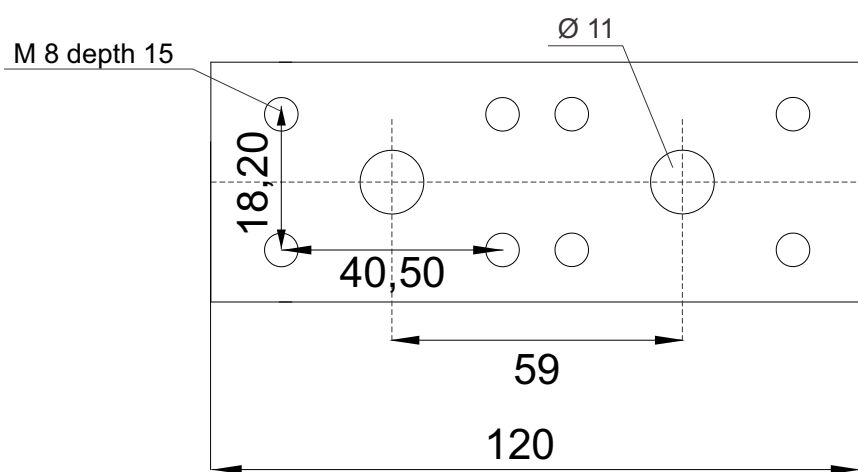


x 1000 rpm	x 1500 rpm	Max. Contin. Pump Speed	Max. Intermit. Pump Speed	Max. Contin. Pressure	Max. Peak Pressure	Torque bar	Torque at 350 bar	Max. Flow	Weight without accessor.	Weight with accessor.	Max. Motor Temp.	Min. Motor Temp.
40,20 cc	60,30 cc	5600 rpm	6300 rpm	400 bar	450 bar	0.68 m.N/bar	228 m.N	225	11,50 kg	11,90 kg	-25°	110°

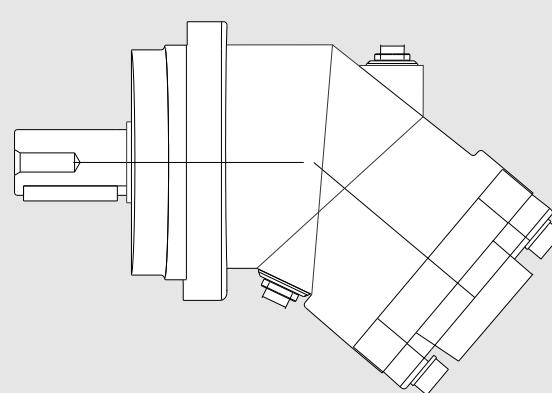
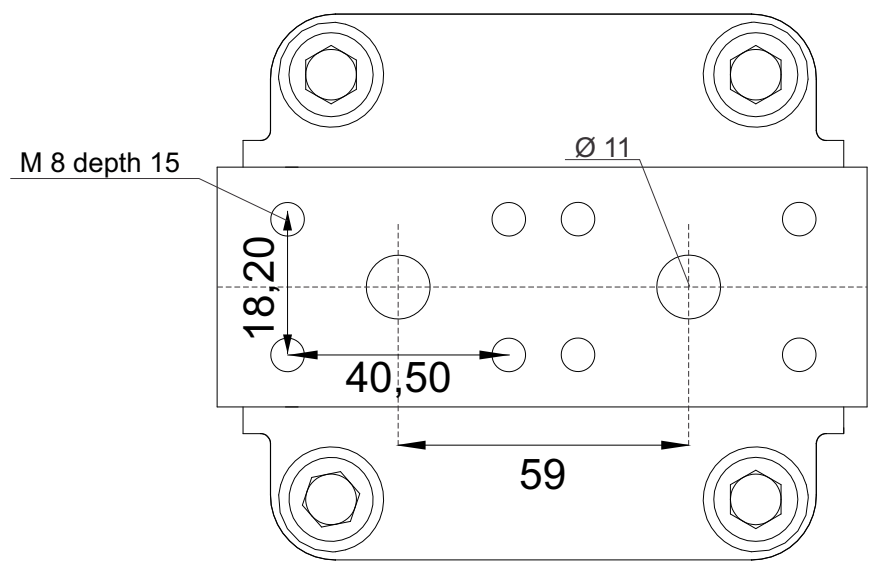
B1

Rear flange ports, bottom
SAE 1/2" 6000 PSI



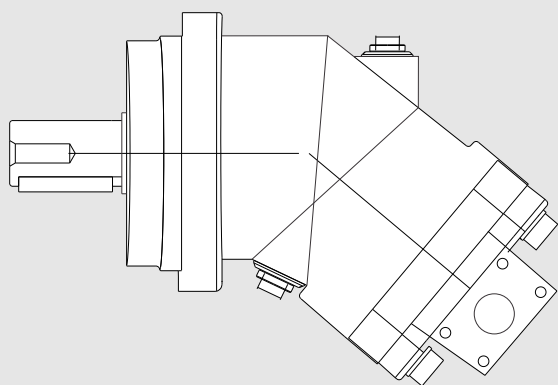
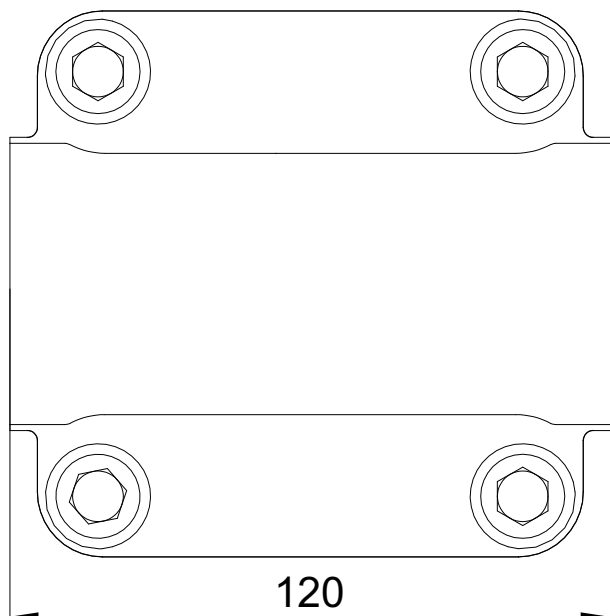
R1

Rear flange ports, SAE 1/2" 6000 PSI



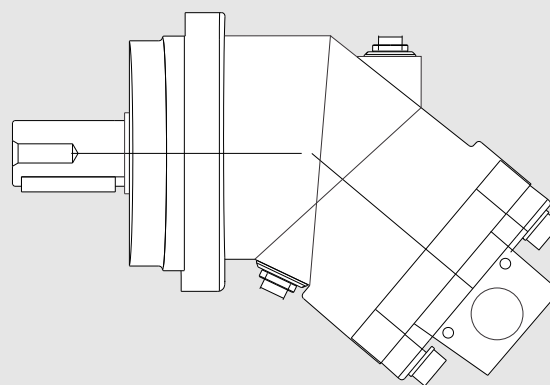
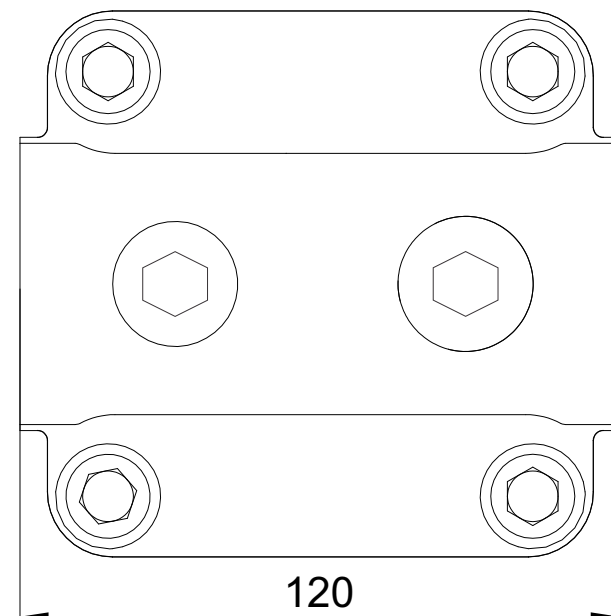
D1-D2

Side flange ports A and B
SAE 1/2" 6000 PSI



D3

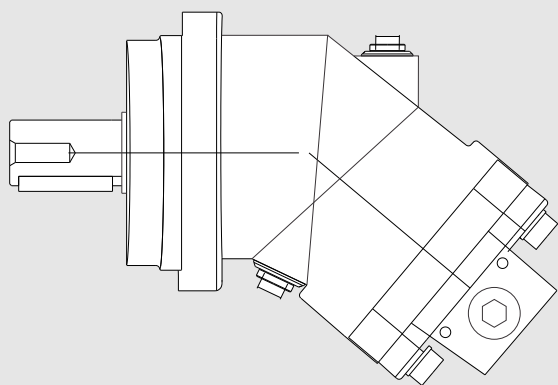
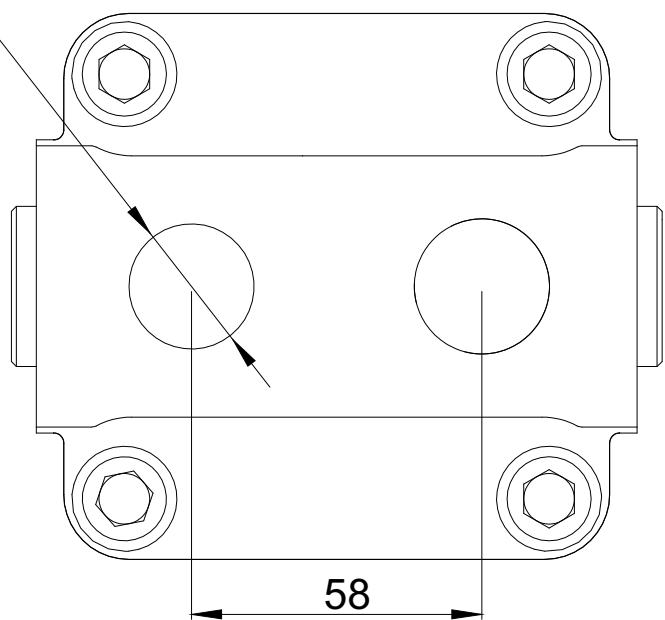
Side threaded ports A and B



R2

Rear threaded ports

M27x2 prof. 16



D4

Side threaded ports A and B

