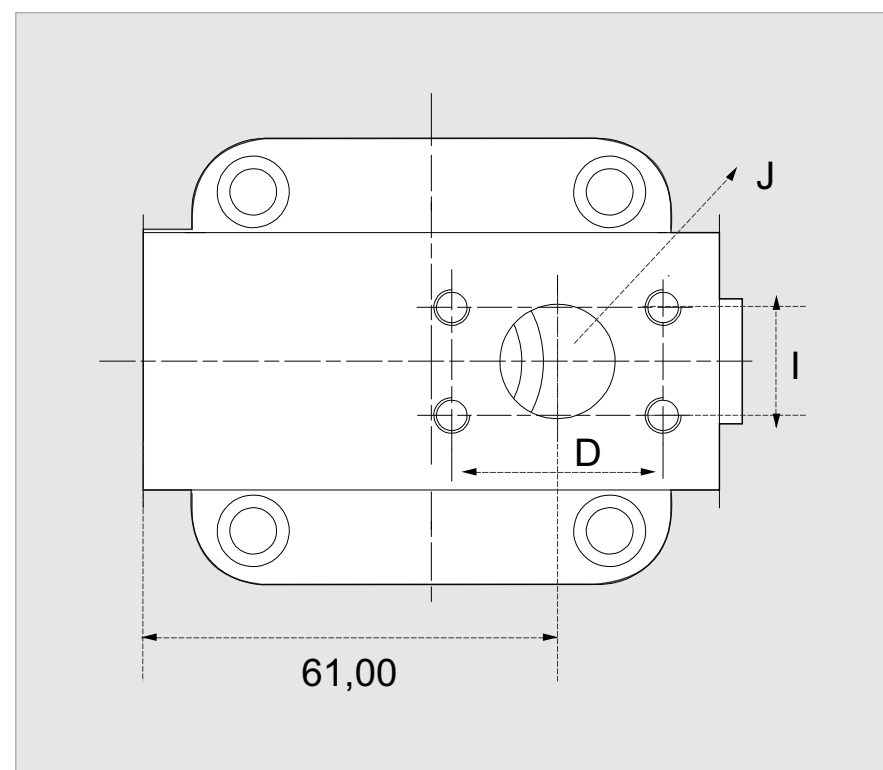


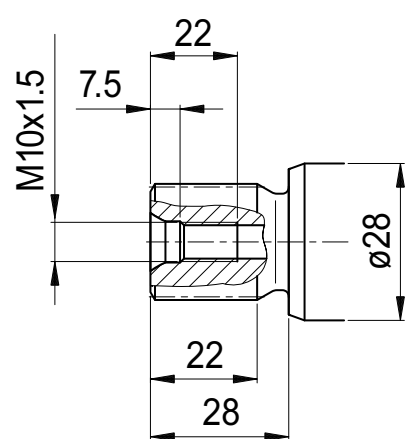
Outlet (6000 psi) : M22x1,5
 Inlet (3000 psi) : M27x2

x 1000 rpm	18,00 cc
x 1500 rpm	27,00 cc
Max. Continuous Pump Speed	3100 rpm
Max. Continuous Pressure	400 bar
Max. Peak Pressure	450 bar
Max. Torque at 350 bar	98 Nm
Max. Flow	55,80 l/min.
Min. Pump Temperature	-25 °C
Max. Pump Temperature	110 °C
Weight without accessories	6,00 kg
Weight with accessories	6,20 kg
Rotation	CW-CCW



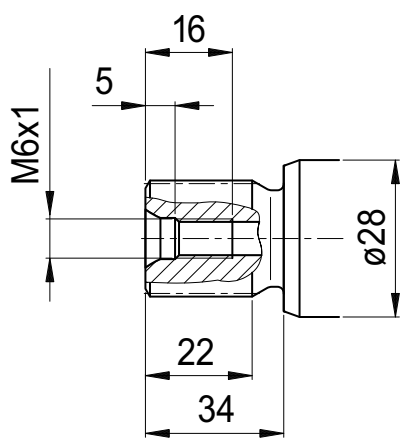
S1

Splined shaft DIN 5480
 W25x1.25x18x9g



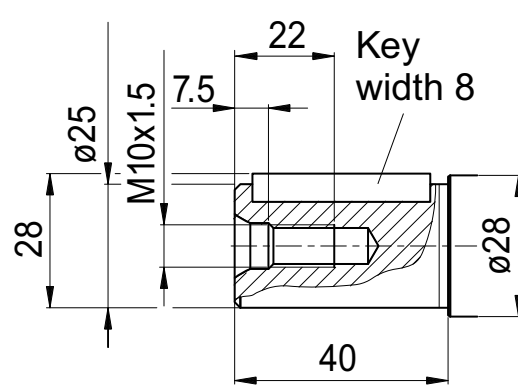
S2

Splined shaft DIN 5480
 W20x1.25x14x9g



K1

Parallel keyed shaft
 DIN 6885, AS8x7x32



K2

Parallel keyed shaft
 DIN 6885, AS6x6x32

