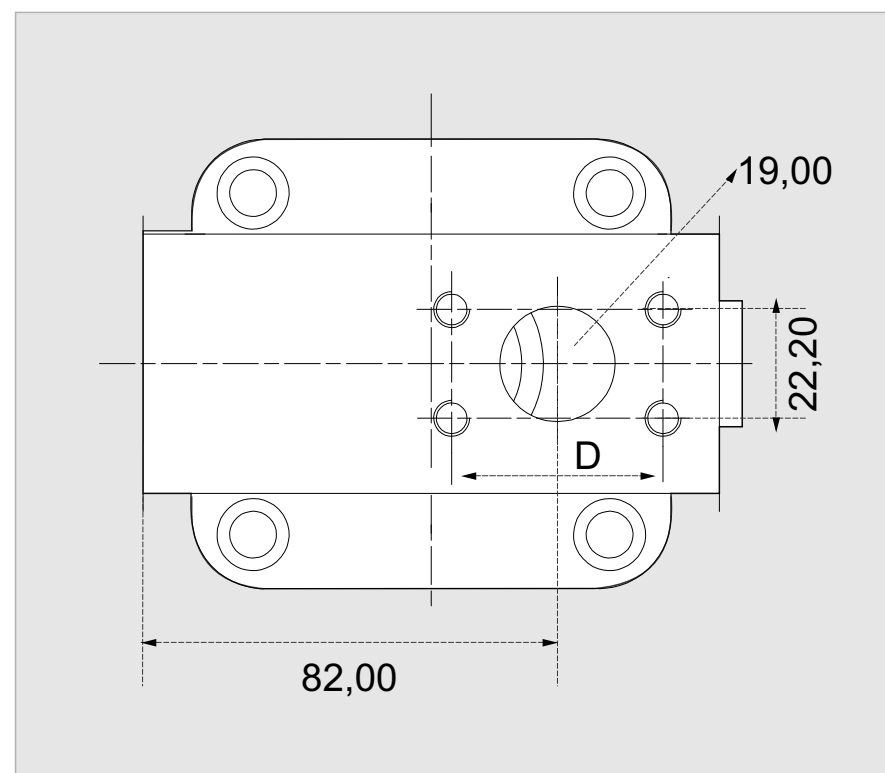


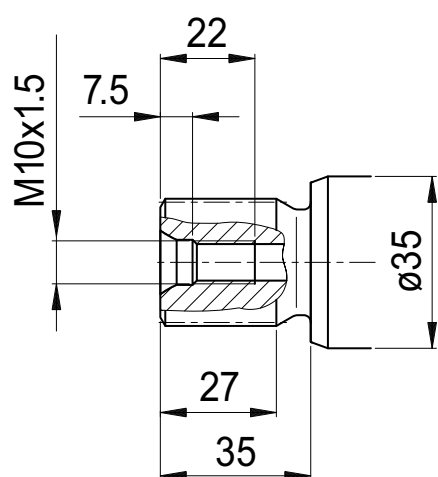
Outlet (6000 psi) : SAE 1/2"
 Inlet (3000 psi) : SAE 3/4"

x 1000 rpm	40,20 cc
x 1500 rpm	60,30 cc
Max. Continuous Pump Speed	2300 rpm
Max. Continuous Pressure	400 bar
Max. Peak Pressure	450 bar
Max. Torque at 350 bar	225 Nm
Max. Flow	92,46 l/min.
Min. Pump Temperature	-25 °C
Max. Pump Temperature	110 °C
Weight without accessories	11,50 kg
Weight with accessories	11,90 kg
Rotation	CW-CCW



S1

Splined shaft DIN 5480
 W30x2x14x9g



K2

Parallel keyed shaft
 DIN 6885, As8x7x40

