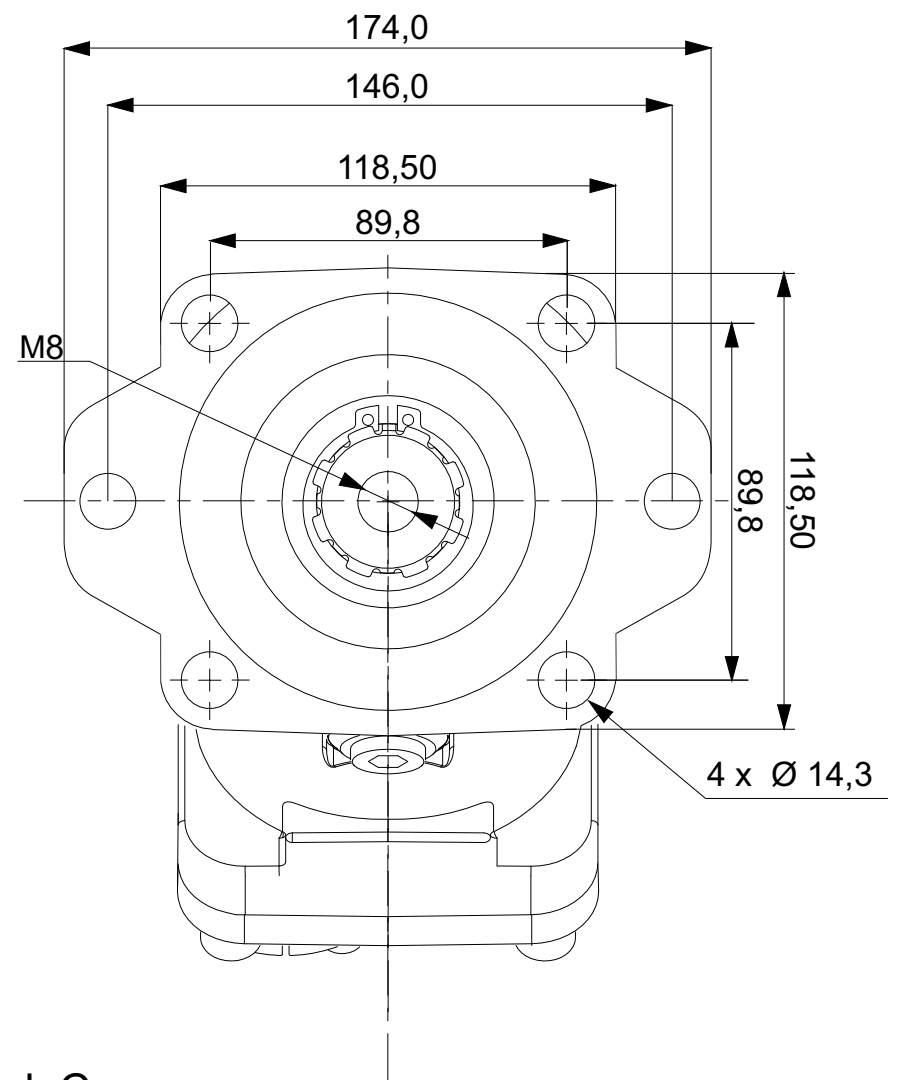
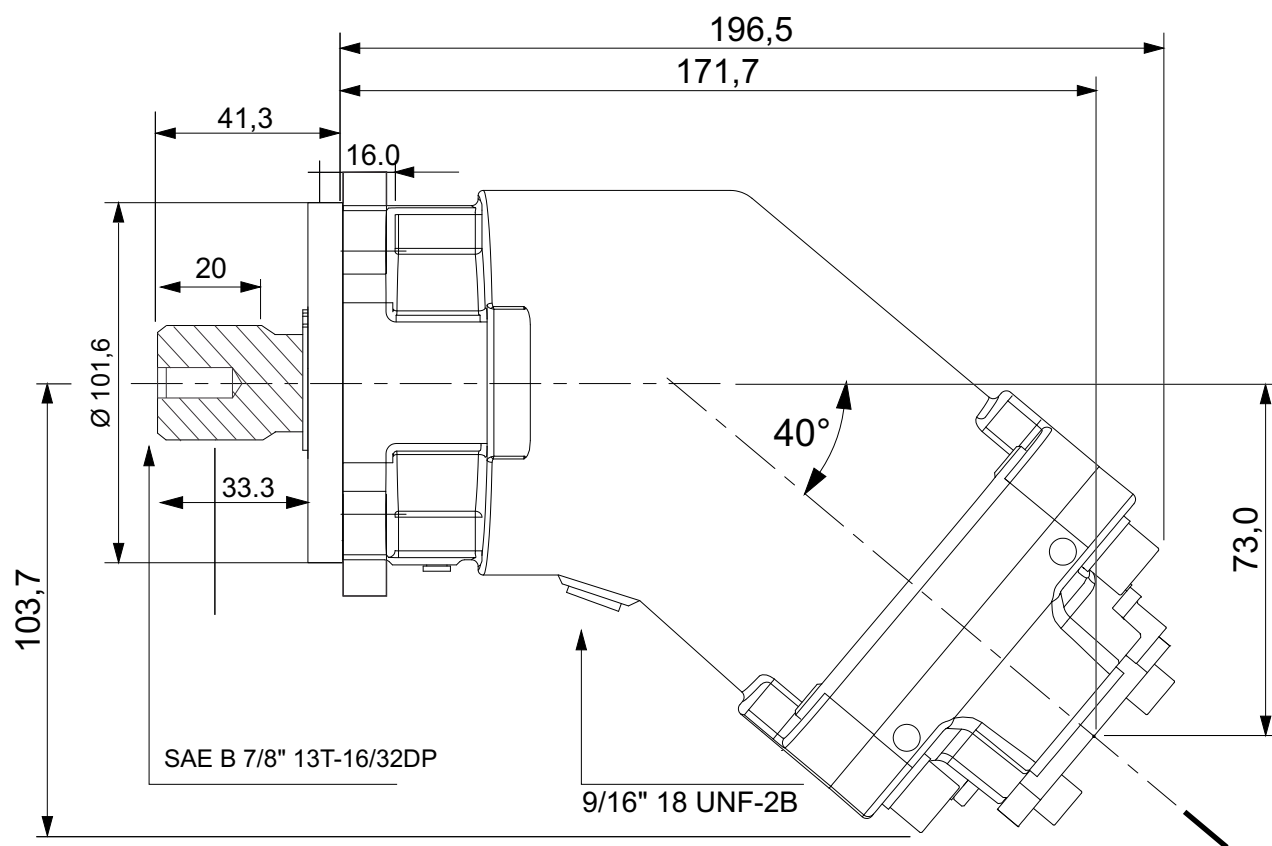
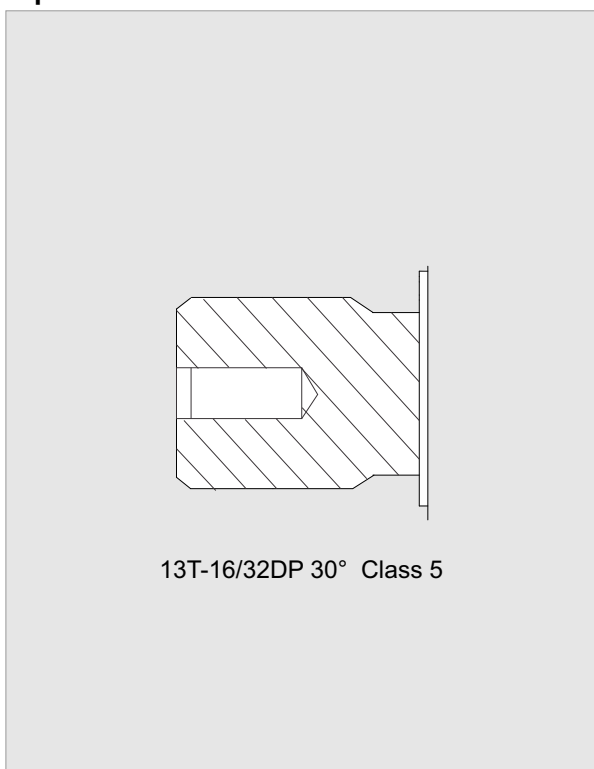


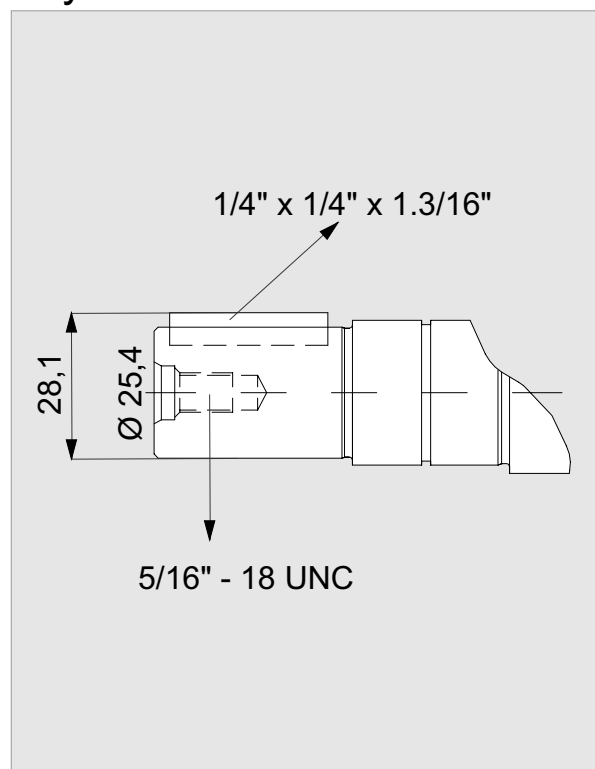
SAE B2 & B4 BOLT MOUNTING (SAE J744)



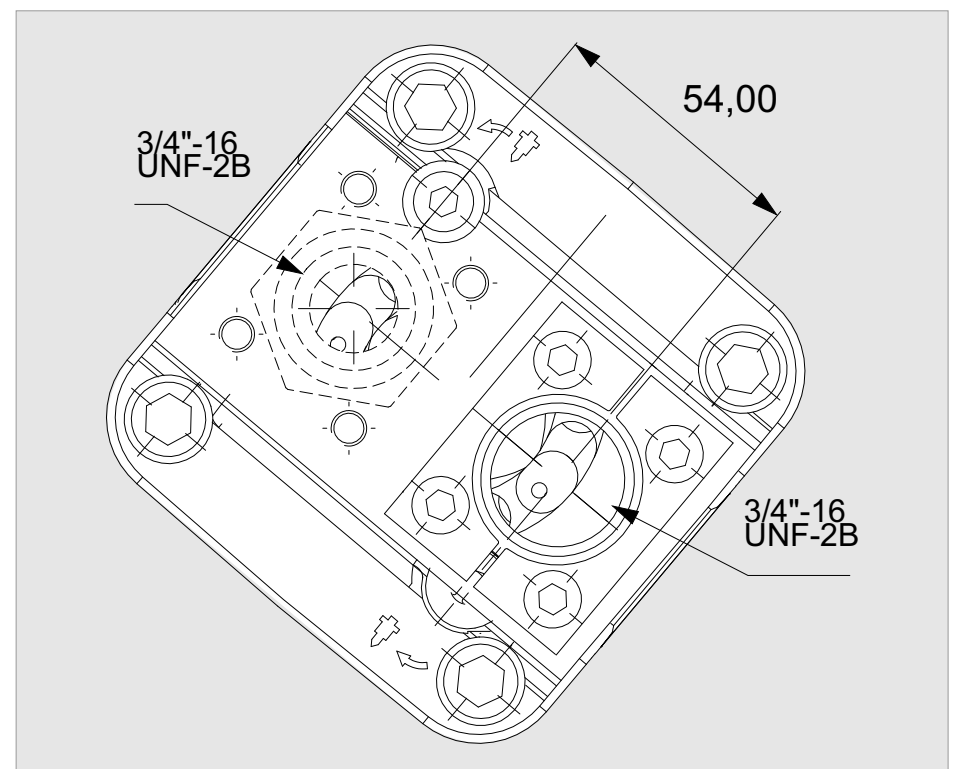
Spline Shaft



Keyed Shaft



Back Cover



<b>x 1000 rpm</b>	25,00 cc
<b>x 1500 rpm</b>	37,50 cc
<b>Max. Continuous Pump Speed</b>	2300 rpm
<b>Max. Limited Pump Speed</b>	2700 rpm
<b>Max. Continuous Pressure</b>	350 bar
<b>Max. Intermit. Peak Pressure</b>	400 bar
<b>Max. Torque at 350 bar</b>	146 Nm
<b>Weight without inlet fitting</b>	10,50 kg
<b>Weight with inlet fitting</b>	10,90 kg
<b>Rotation</b>	CW-CCW

